



A.u.S. Spielgeräte GesmbH  
Scheydgasse 48 A-1210 Wien  
Tel. +43-1-271 66 00 Fax.+43-1-271 66 00 75  
E-mail: [verkauf@aus.at](mailto:verkauf@aus.at)  
<http://www.aus.at> <http://www.garlando.at>  
Öffnungszeiten: Mo-Do 9-18 und Fr. 9-17 Uhr

## Bill Counting Machine

# BC-25

## Parts List



### Parts List

Model No.	BC-25	Division		Page	1/2
Prepared on:	1998.08.06	Revision		DWG. No	P984-B-01-00
Case	Item No.	Parts No.	Parts Name	Q'ty	Unit & Remarks
1	057444	0984RE018A	DS cover	1	
2	057474	0984RE001A	Operation flat key	1	
3	057440	0984RE014D	Display panel	1	
4	057461	0984MA002A	Caution label	1	
5	057424	0984PT007C	Board cover	1	
6	057406	984-442-06-01C-01	CPU board ass'y	1	
7	062084	M3x8	P Tight	4	
8	046979	M3x6	SEMS	4	
9	003602	M3x8	SEMS	4	
10	062097	M3x8	W-SEMS(L)	2	
11	062081	M3x6	SEMS	2	
12	062081	M3x6	SEMS	2	
13	062080	M4x10	W-SEMS(L)	4	
14	057443	0984RE017D	Side cover (L)	1	
15	057428	0984PT011C	Side plate (L)	1	
16	062082	M3x8	Countersunk machine screw	1	
17	057434	0984RE005	Sensor cover	1	
18	057409	984-442-06-03-03	POT board ass'y 2	1	
19	057469	0874RE101	Count sensor spacer	7	
20	057426	0984PT009F	Course guide	1	
21	057430	0984PT013A	Cover	1	
22	045928	451-06-06A-01	LED board ass'y	3	
23	062084	M3x8	Rounded head screw	1	
24	062083	M3x6	S Tight	2	
25	062092	φ3	Inner tooth washer	2	
26	057457	0984PE002A	De-energizing brush	1	
27	046979	M3x6	SEMS	1	
28	057453	0984SH002	Transfer roller shaft	1	
29	057465	SS6-20RMZZ	Urethane roller	1	
30	057420	0984PT003D	Holder roller spring	1	
31	055112	M3x8	W-SEMS (S)	2	
32	057389	442-05-01D	Sensor harness 1	1	
33	062097	M3x8	W-SEMS (L)	4	
34	057429	0984PT012C	Base plate	1	
35	057466	CP-30-FF-4A	Case leg	4	
36	057383	MR-21	Power SW	1	
37	057394	442-05-7B	Inlet harness	1	
38	057397	442-05-10B	Filter harness 1	1	
39	057398	442-05-11B	Filter harness 2	1	
40	057381	FH-B12	Fuse holder ass'y	1	
41	059133	NO.19195-2.5A	Fuse	1	
42	062082	M3x8	Countersunk machine screw	2	
43	057380	SC-9	Inlet ass'y	1	
44	057445	0984RE019B	Blank cover	2	
45	062098	M4x6	SEMS (brass)	2	
46	062094	φ4	Inner tooth washer	2	
47	062097	M3x8	W-SEMS (S)	3	
48	057408	984-442-06-03-02	POT board ass'y 1	3	
49	057390	442-06-02D	Sensor harness 2	1	
50	057425	0984PT008C	Hopper plate	1	



A.u.S. Spielgeräte GesmbH  
Scheydgasse 48 A-1210 Wien  
Tel. +43-1-271 66 00 Fax.+43-1-271 66 00 75  
E-mail: verkauf@aus.at  
http://www.aus.at http://www.garlando.at  
Öffnungszeiten: Mo-Do 9-18 und Fr. 9-17 Uhr

## Parts List

Model No.	BC-25	Division		Page	2/2
Prepared on:	1998.08.06	Revision		DWG. No	P984-B-01-00
Case	Item No.	Parts No.	Parts Name	Q'ty	Unit & Remarks
51	057438	0984RE012B	Guide (L)	1	
52	062082	M3×8	Countersunk machine screw	1	
53	062085	M3×8	Countersunk P tight	1	
54	057437	0984RE011B	Guide (R)	1	
55	057439	0984RE013D	Top guide	1	
56	057436	0984RE010B	Slide plate	2	
57	057446	0984GE001	Width adjusting gear	1	
58	062101	φ6.4×φ11×0.15t	Corrugated washer (SUS)	1	
59	057456	0984ST002A	Gear stud	1	
60	057454	0984SH003	Intake roller shaft	1	
61	057473	0984RU004D	Intake roller	2	
62	057459	0984CS001B	Brake spring	2	
63	062091	3.3×8×0.5	Flat washer	2	
64	057432	0984RE003E	Separating plate	1	
65	057407	984-442-06-03-01	LED board ass'y	1	
66	062083	M3×6	P Tight	1	
67	057439	0984RE015C	Rear cover	1	
68	059785	0984MA003	Rating nameplate	1	
69	057427	0984PT010C	Side plate (R)	1	
70	057442	0984RE016D	Side cover (R)	1	
71	062092	φ3	Inner clip washer	1	
72	057391	442-05-03D	DC supply harness	1	
73	062091	3.3×8×0.5	Flat washer	2	
74	057400	442-05-13A	Interlock jumper harness	1	
75	058583	JFS-2.6S-B1WM	Lock screw	2	
76	057443	0984RE017D	Communication board cover	1	
77	058582	442-05-14A	Communication I/F board harness	1	
78	058581	984-442-06-02-01	Communication I/F board ass'y	1	
79	062082	M3×8	Countersunk machine screw	2	

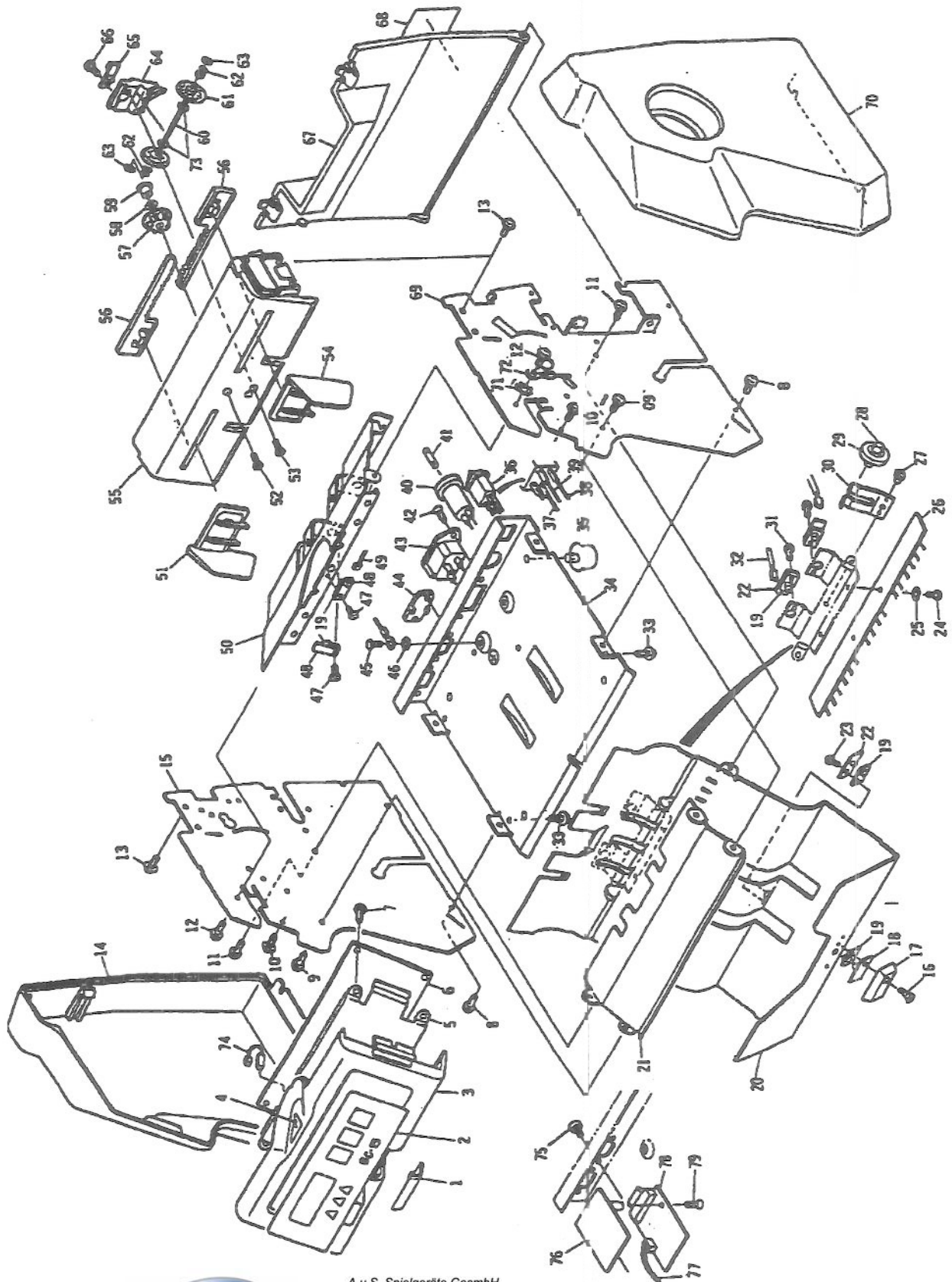


### Parts List

Model No.	BC-25	Division			Page	1/1
Prepared on:	1998.08.06	Revision		DWG. No	P984-B-02-00	
Case	Item No.	Parts No.	Parts Name	Q'ty	Unit & Remarks	
101	060314	0984BT001A	Drive belt	1		
102	062088	∅8	E-ring	1		
103	057471	0984PU002B	Main pulley	1		
104	057449	0984AS002	Stop roller link ass'y	1		
105	057433	0984RE004	Sensor plate	1		
106	057462	F688ZZ	Bearing	2		
107	062086	∅4	E-ring	1		
108	057463	B-F6-30	Oily bearing	1		
109	062086	∅4	E-ring	1		
110	057450	0984AS003A	Blade wheel link ass'y	1		
111	057463	B-F6-30	Oily bearing	2		
112	062081	M3×6	SEMS	2		
113	057410	984-442-06-04-01	IRP board ass'y	1		
114	062081	M3×6	SEMS	3		
115	057475		Main motor (DC)	1		TG-21H-CO35.24V
116	057472	0984RU003C	Stop roller	1		
117	062100	∅3×20	Parallel pin	1		
118	057455	0884SH004A	Main shaft	1		
119	057471	0984RU002B	Supply roller	2		
120		0984AS005	Feed roller ass'y	1		057431 0984PT014 057470 0984RU001D
121	062088	∅8	E-ring	1		
122	062086	∅4	E-ring	2		
123	062099	∅2×12	Roll pin	2		
124	057468	0984RE009A	Blade wheel	2		
125	057452	0984SH001	Blade wheel shaft	1		
126	057421	0984PT004A	Flywheel	1		
127	062090	M4	Flange nut	2		
128	062081	M3×6	SEMS	1		
129	062092	∅3	Inner tooth washer	1		
130	062081	M3×6	SEMS	2		
131	057448	0984AS001	Adjusting plate ass'y	2		
132	057419	0984PT002	Adjusting dial	1		
133	062087	∅6	E-ring	1		
134	057464	B-S6-67	Oily bearing	1		
135	057435	0984RE008	Handle	1		
136	057458	0984TS001A	Stop roller spring	1		
137	057451	0984AS004A	Clutch holder ass'y	1		
138	062086	∅4	E-ring	1		
139	029124	ZCB2203-M	Noise filter ass'y	1		
140	059786	0984PT016A	Noise filter cover	1		
141	062097	M3×8	W-SEMS (S)	2		
142	057404	KGLS-3S	Locking guard spacer	3		
143	062081	M3×6	SEMS	2		
144	057422	0884PT005E	Power box	1		
145	057403	KG-012	Universal bush (115mm)	1		
146	057385	SNP-9096	Switching power	1		
147	052396	M3×8	W-SEMS (L)	1		
148	057423	0984PT006	Power cover	1		
149	057461	0984MA002A	Caution label	1		
150	062095	∅4	Outer tooth washer	1		
151	059134	442-05-16	Power ground wire	1		
152	062098	M4×6	SEMUSU (brass)	1		

# PARTS DIAGRAM

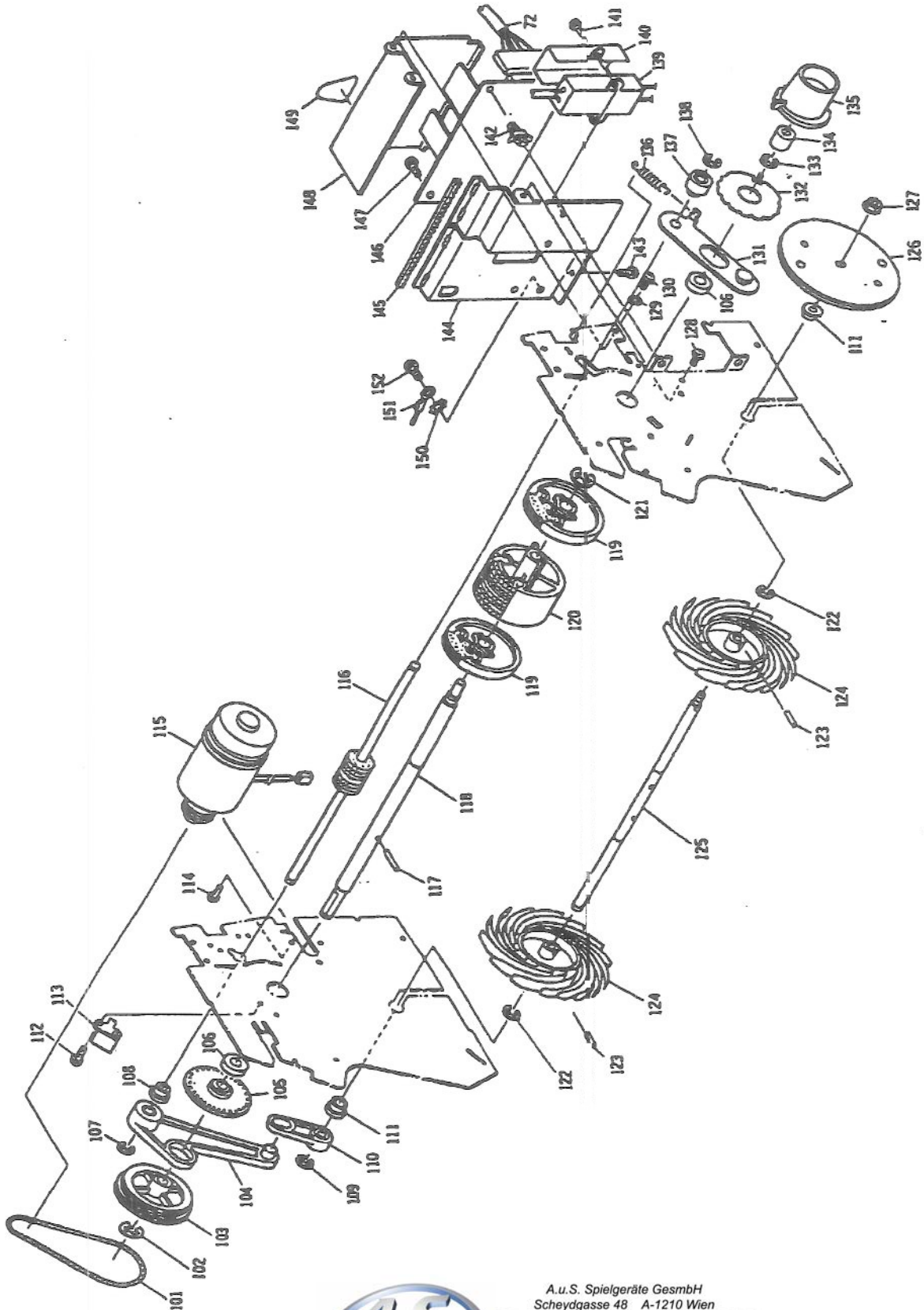
Model	BC-25	Division	Main body case unit	Page	1/1
Date	1997. 12. 15	Revision		DWG. No	P984-A-01-00



A.u.S. Spielgeräte GesmbH  
 Scheydgasse 48 A-1210 Wien  
 Tel. +43-1-271 66 00 Fax. +43-1-271 66 00 75  
 E-mail: [verkauf@aus.at](mailto:verkauf@aus.at)  
<http://www.aus.at> <http://www.garlando.at>  
 Öffnungszeiten: Mo-Do 9-18 und Fr. 9-17 Uhr

# PARTS DIAGRAM

Model	BC-25	Division	Main body unit	Page	1/1
Date	1997. 12. 15	Revision		DWG. No	P984-A-02-00



A.u.S. Spielgeräte GesmbH  
 Scheydgasse 48 A-1210 Wien  
 Tel. +43-1-271 66 00 Fax.+43-1-271 66 00 75  
 E-mail: verkauf@aus.at  
<http://www.aus.at> <http://www.garlando.at>  
 Öffnungszeiten: Mo-Do 9-18 und Fr. 9-17 Uhr