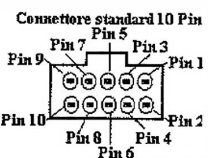
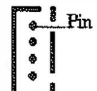
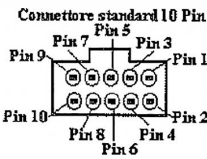


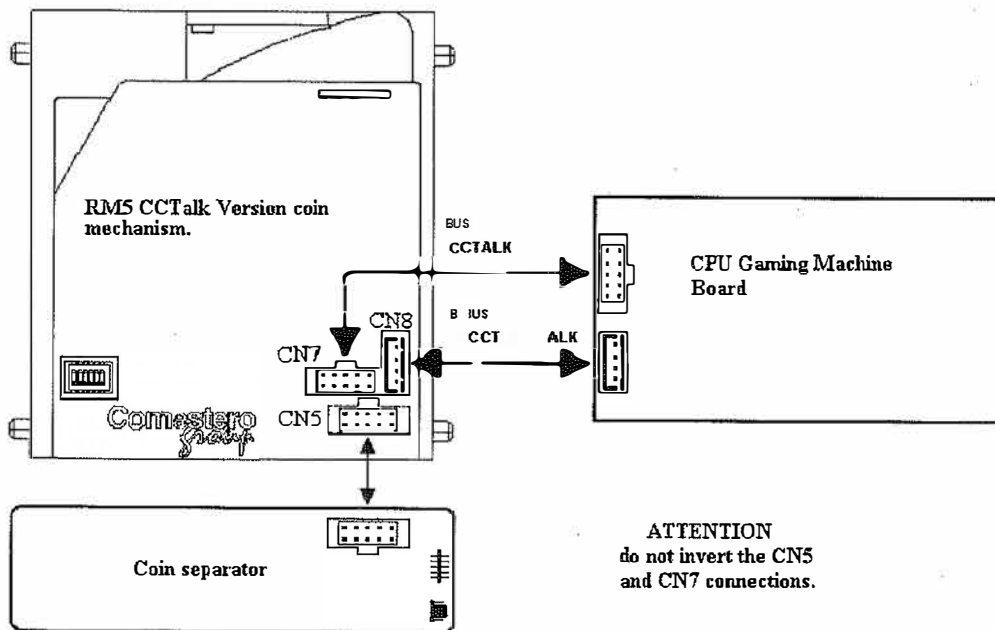


A.u.S. SPIELGERÄTE GMBH
 SCHEYDGASSE 48, AT 1210 WIEN
 ☎ +43 (0) 1 271 66 00 65 FAX +43 (0) 1 271 66 00 75
 🌐 www.aus.at ✉ verkauf@aus.at

Connecting RM5 CCTALK Standard - Separator 9930500557 (SPS31LCC3) G Separator 9930500553 (SPS31SCC3) G Separator 9930500558 (SPS300CC3) F - Separator 9930500559 (SPS300CC3) B to machine CPU

Parallel Standard 10 Pin (CN5) Connector	CC TALK 4 pin (CN8) connector Mod. B 4B-XH-A (JST)	CCTalk 10 Pin (CN7) Connector (CN7)																																																
 <table border="1"> <tr><td>Pin 1</td><td>Gnd</td></tr> <tr><td>Pin 2</td><td>+12÷24 Vdc</td></tr> <tr><td>Pin 3</td><td>CH 5</td></tr> <tr><td>Pin 4</td><td>CH 6</td></tr> <tr><td>Pin 5</td><td>Not Used</td></tr> <tr><td>Pin 6</td><td>Inhibit</td></tr> <tr><td>Pin 7</td><td>CH 1</td></tr> <tr><td>Pin 8</td><td>CH 2</td></tr> <tr><td>Pin 9</td><td>CH 3</td></tr> <tr><td>Pin 10</td><td>CH 4</td></tr> </table>	Pin 1	Gnd	Pin 2	+12÷24 Vdc	Pin 3	CH 5	Pin 4	CH 6	Pin 5	Not Used	Pin 6	Inhibit	Pin 7	CH 1	Pin 8	CH 2	Pin 9	CH 3	Pin 10	CH 4	 <table border="1"> <tr><td>Pin 1</td><td>+12÷24 Vdc</td></tr> <tr><td>Pin 2</td><td>N.U.</td></tr> <tr><td>Pin 3</td><td>0 V</td></tr> <tr><td>Pin 4</td><td>Data</td></tr> </table>	Pin 1	+12÷24 Vdc	Pin 2	N.U.	Pin 3	0 V	Pin 4	Data	 <table border="1"> <tr><td>Pin 1</td><td>Data</td></tr> <tr><td>Pin 2</td><td>N. U.</td></tr> <tr><td>Pin 3</td><td>N.U.</td></tr> <tr><td>Pin 4</td><td>N.U.</td></tr> <tr><td>Pin 5</td><td>N.U.</td></tr> <tr><td>Pin 6</td><td>N.U.</td></tr> <tr><td>Pin 7</td><td>+ V</td></tr> <tr><td>Pin 8</td><td>0 V</td></tr> <tr><td>Pin 9</td><td>N.U.</td></tr> <tr><td>Pin 10</td><td>N.U.</td></tr> </table>	Pin 1	Data	Pin 2	N. U.	Pin 3	N.U.	Pin 4	N.U.	Pin 5	N.U.	Pin 6	N.U.	Pin 7	+ V	Pin 8	0 V	Pin 9	N.U.	Pin 10	N.U.
Pin 1	Gnd																																																	
Pin 2	+12÷24 Vdc																																																	
Pin 3	CH 5																																																	
Pin 4	CH 6																																																	
Pin 5	Not Used																																																	
Pin 6	Inhibit																																																	
Pin 7	CH 1																																																	
Pin 8	CH 2																																																	
Pin 9	CH 3																																																	
Pin 10	CH 4																																																	
Pin 1	+12÷24 Vdc																																																	
Pin 2	N.U.																																																	
Pin 3	0 V																																																	
Pin 4	Data																																																	
Pin 1	Data																																																	
Pin 2	N. U.																																																	
Pin 3	N.U.																																																	
Pin 4	N.U.																																																	
Pin 5	N.U.																																																	
Pin 6	N.U.																																																	
Pin 7	+ V																																																	
Pin 8	0 V																																																	
Pin 9	N.U.																																																	
Pin 10	N.U.																																																	

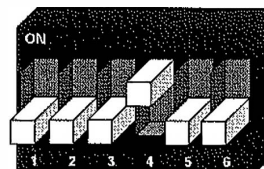
Connecting Scheme



ATTENTION
 do not invert the CN5 and CN7 connections.

Used Connectors :

- CN5: Parallel standard 10 Pin connector
- CN7: 10 Pin CCTALK Connector
- CN8: 4 Pin CCTalk Connector



The standard CCTalk Coin Mechanism in "Master Inhibit Status" (Command "227" and "228" start with a default value of (0), means "Coin Mechanism inhibit". To have a starting value of (1), means "Coin Mechanism enable", the Dip-Switch 4 must be set on (see figure).

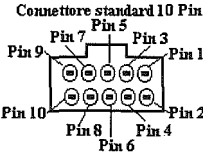
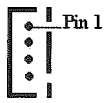
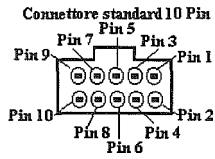


A.u.S. SPIELGERÄTE GMBH
 SCHEYDGASSE 48, AT 1210 WIEN
 ☎ +43 (0) 1 271 66 00 65 FAX +43 (0) 1 271 66 00 75
 🌐 www.aus.at ✉ verkauf@aus.at

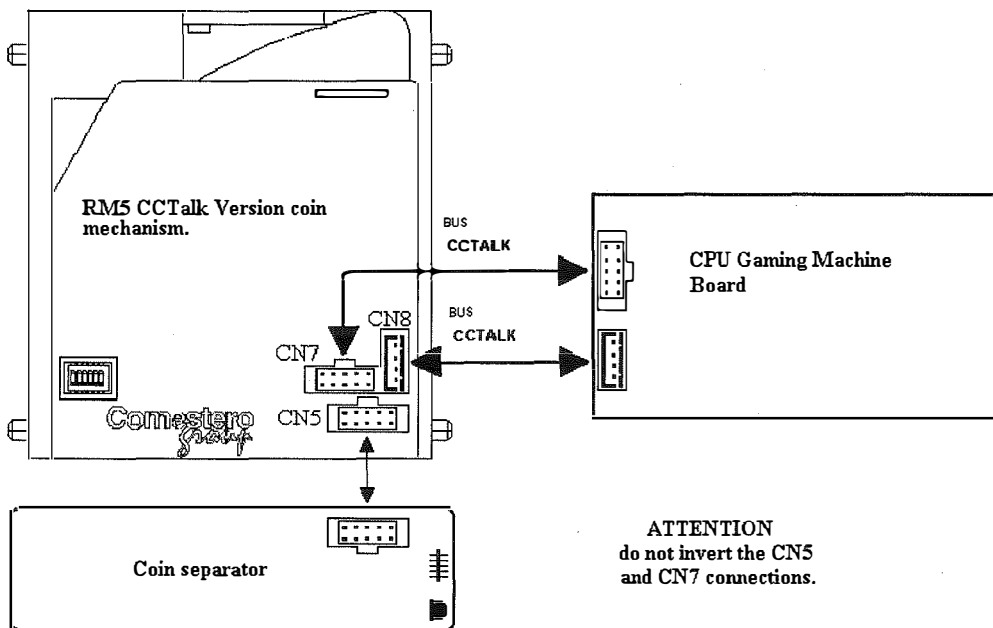


A.u.S. SPIELGERÄTE GMBH
 SCHEYDGASSE 48, AT 1210 WIEN
 ☎ +43 (0) 1 271 66 00 65 FAX +43 (0) 1 271 66 00 75
 🌐 www.aus.at ✉ verkauf@aus.at

Connecting RM5 CCTALK Standard - Separator 9930500557 (SPS31LCC3) G Separator 9930500553 (SPS31SCC3) G Separator 9930500558 (SPS300CC3) F Separator 9930500559 (SPS300CC3) B to machine CPU

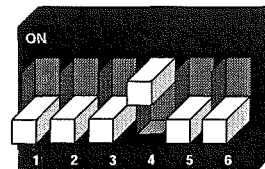
Parallel Standard 10 Pin (CN5) Connector	CC TALK 4 pin (CN8) connector Mod. B 4B-XH-A (JST)	CCTalk 10 Pin (CN7) Connector (CN7)																																																
 <table border="1"> <tr><td>Pin 1</td><td>Gnd</td></tr> <tr><td>Pin 2</td><td>+12+24 Vdc</td></tr> <tr><td>Pin 3</td><td>CH 5</td></tr> <tr><td>Pin 4</td><td>CH 6</td></tr> <tr><td>Pin 5</td><td>Not Used</td></tr> <tr><td>Pin 6</td><td>Inhibit</td></tr> <tr><td>Pin 7</td><td>CH 1</td></tr> <tr><td>Pin 8</td><td>CH 2</td></tr> <tr><td>Pin 9</td><td>CH 3</td></tr> <tr><td>Pin 10</td><td>CH 4</td></tr> </table>	Pin 1	Gnd	Pin 2	+12+24 Vdc	Pin 3	CH 5	Pin 4	CH 6	Pin 5	Not Used	Pin 6	Inhibit	Pin 7	CH 1	Pin 8	CH 2	Pin 9	CH 3	Pin 10	CH 4	 <table border="1"> <tr><td>Pin 1</td><td>+12+24 Vdc</td></tr> <tr><td>Pin 2</td><td>N.U.</td></tr> <tr><td>Pin 3</td><td>0 V</td></tr> <tr><td>Pin 4</td><td>Data</td></tr> </table>	Pin 1	+12+24 Vdc	Pin 2	N.U.	Pin 3	0 V	Pin 4	Data	 <table border="1"> <tr><td>Pin 1</td><td>Data</td></tr> <tr><td>Pin 2</td><td>N. U.</td></tr> <tr><td>Pin 3</td><td>N.U.</td></tr> <tr><td>Pin 4</td><td>N.U.</td></tr> <tr><td>Pin 5</td><td>N.U.</td></tr> <tr><td>Pin 6</td><td>N.U.</td></tr> <tr><td>Pin 7</td><td>+ V</td></tr> <tr><td>Pin 8</td><td>0 V</td></tr> <tr><td>Pin 9</td><td>N.U.</td></tr> <tr><td>Pin 10</td><td>N.U.</td></tr> </table>	Pin 1	Data	Pin 2	N. U.	Pin 3	N.U.	Pin 4	N.U.	Pin 5	N.U.	Pin 6	N.U.	Pin 7	+ V	Pin 8	0 V	Pin 9	N.U.	Pin 10	N.U.
Pin 1	Gnd																																																	
Pin 2	+12+24 Vdc																																																	
Pin 3	CH 5																																																	
Pin 4	CH 6																																																	
Pin 5	Not Used																																																	
Pin 6	Inhibit																																																	
Pin 7	CH 1																																																	
Pin 8	CH 2																																																	
Pin 9	CH 3																																																	
Pin 10	CH 4																																																	
Pin 1	+12+24 Vdc																																																	
Pin 2	N.U.																																																	
Pin 3	0 V																																																	
Pin 4	Data																																																	
Pin 1	Data																																																	
Pin 2	N. U.																																																	
Pin 3	N.U.																																																	
Pin 4	N.U.																																																	
Pin 5	N.U.																																																	
Pin 6	N.U.																																																	
Pin 7	+ V																																																	
Pin 8	0 V																																																	
Pin 9	N.U.																																																	
Pin 10	N.U.																																																	

Connecting Scheme



Used Connectors :

- CN5: Parallel standard 10 Pin connector
- CN7: 10 Pin CCTALK Connector
- CN8: 4 Pin CCTalk Connector



The standard CCTalk Coin Mechanism in "Master Inhibit Status" (Command "227" and "228" start with a default value of (0), means "Coin Mechanism inhibit".
 To have a starting value of (1), means "Coin Mechanism enable", the Dip-Switch 4 must be set on (see figure).



A.u.S. SPIELGERÄTE GMBH
 SCHEYDGASSE 48, AT 1210 WIEN
 ☎ +43 (0) 1 271 66 00 65 FAX +43 (0) 1 271 66 00 75
 🌐 www.aus.at ✉ verkauf@aus.at