



A.u.S. SPIELGERÄTE GMBH

SCHEYDGASSE 48, AT 1210 WIEN

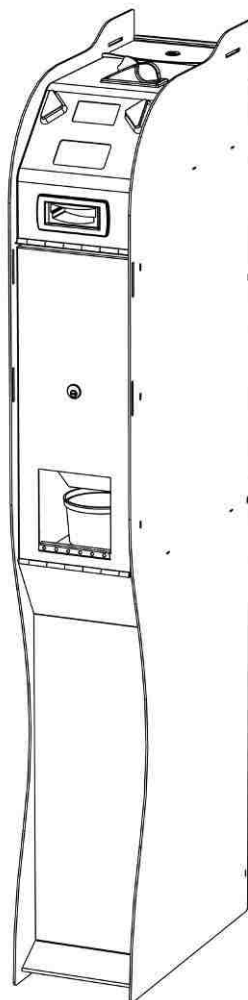
☎ +43 (0) 1 271 66 00 65 FAX +43 (0) 1 271 66 00 75

🌐 www.aus.at ✉ verkauf@aus.at

# Jolly PRO

EN

Change machine



Operating Manual



# GUIDE TO THE SYMBOLS IN THE MANUAL

The following symbols are used in this manual  
in order to facilitate its understanding.



Important information

---



Read carefully before use

---



Warning!

---

## DECLARATION OF CONFORMITY

THE MANUFACTURER: Comestero Group S.r.l. via M. Curie 8, 20060 Gessate MI

DECLARES:

That the product:

TYPE: Change machine

BRAND: Comestero

MODEL: Jolly PRO

Complies with the following European directives, including their latest changes, and with the relative national laws applying such directives:

2004/108/CE

2006/95/CE

And that the following harmonized standards have been applied:

**EN 55014-1**

**EN 61014-2**

**EN61000-3-2**

**EN61000-3-3**

**EN62233**

**EN 60335-2-82**

Gessate, 17/11/2010

Riccardo Chionna, CEO Comestero Group S.r.l.



## SAFETY INFORMATION

This machine is equipped with safety devices in order to prevent damage due to short circuits and fire.



**These devices must not be bypassed, removed or disabled for any reason.**

If the devices must be disabled to carry out maintenance or servicing, operate on the appliance only when the power supply has been switched OFF.



The safety devices have been constructed in compliance with existing regulations.

We recommend the operator to periodically check their correct operation.

---

## Risks deriving from using the machine

### The machine is exclusively for indoor use.

If maintained in good operating conditions and installed correctly (according to the instructions of this manual), the machine does not pose any danger for the operator. The personnel loading the dispensers and turning ON the machine after maintenance must take into account that: all moving parts, doors and cash boxes can cause injuries of varying severity, if operated inappropriately; it is a good practice to switch off the power supply for any operation carried out when the machine is open (maintenance, etc.)



**Electrical hazards:** Direct contacts during connection to the main power supply. Operations carried out by a **qualified technician**.



**Crushing hazards** due to moving parts in the machine. The machine must be opened and closed slowly and carefully.

## Hazards during machine installation and setup

Follow the machine installation instructions below (section 9) so that risks for people and property are minimal.



**Crushing hazards** during handling and positioning of the machine. Transport of the machine must be carried out by a **technician qualified** for moving loads (forklift operator, etc.).

Caution:

- Use suitable lifting machines and harnesses
- Carry out operations in an area free from obstacles and people.
- Before lifting, always ensure that the load is stable and carry out all movements carefully, avoiding any oscillation.



**Electrical hazards:** Direct contacts during connection to the main power supply. Operations carried out by a **qualified technician**.

Caution:

- Make sure that the distribution line is sized according to the power supply used by the machine.
- Connect the system to ground before connecting the machine and the accessories.

## Hazards during machine maintenance



**Electrical hazards:** Direct contact with live parts within the electrical cabinet.  
Operations carried out by a **qualified technician**.

Caution:

- Service the machine only after the main power supply has been switched off.

## Labels

The machine is equipped with warning labels located near dangerous areas, showing conventional hazard signs with symbols and/or written messages.



GENERAL HAZARD



ELECTRICAL SHOCK HAZARD



GROUND

---

---

# GENERAL WARRANTY

Please read the following carefully in order to understand the general warranty conditions for this product.

## ART. 1 - Scope of application

These general terms and conditions shall apply to all the goods and services provided by our company. Placed orders shall imply the full and unconditional acceptance of these general terms and conditions of sale. The contract of sale shall be considered perfected when the Purchaser receives the order confirmation from the Seller.

## ART. 2 - Electromagnetic compatibility and safety

Our company certifies that the supplied goods comply with the standards concerning electromagnetic compatibility and safety; mandatory declarations are indicated in detail in the plates and labels affixed on the products and in the technical documentation attached or available at our premises. The recipients of the supply undertake to use or market the supplied goods, ensuring the integrity, completeness and usability of such information.

## ART. 3 – Warranty

Except in cases where the mandatory provisions in Leg. Decree No. 206/2005 (“Consumer Code”) or in other relevant laws are to be applied, the goods and services are supplied under warranty by our company for a period of 12 months. This period starts from the date of purchase of the product. The warranty is exclusively limited to the normal operation of the goods supplied and to the result of the service provided. The warranty exclusively involves the repairs or replacement of the goods. Restoration of the goods to their normal operative state shall be carried out in our factory. Although not provided for here, Art. 1512 CC is also applicable in terms of revocation and limitation.

Our company shall not be liable in any way for operation of goods supplied in environmental conditions or technical conditions other than those established by our specifications, usually set out in the technical documentation. Any liability for direct or indirect damage not deriving from a malfunction is expressly excluded.

The warranty is void and null if the purchaser is insolvent in paying the established price.

The warranty does not apply in the following cases:

1. lack of or improper maintenance, even if carried out by qualified personnel;
2. repairs or alterations made by the purchaser on his unilateral initiative;
3. inadequate or irregular voltage in the power lines, insufficient flow rate and abnormal electrical systems;
4. corrosive action of detergents;
5. poor or non-functioning software or hardware or loss of data recorded by the purchaser as a result of storms, lightning, high temperature or voltage variations of the electric current, earthquakes, fire, etc.;
6. with reference to all the electrical components and mechanical plastic moving parts subject to normal wear, which must be replaced during routine maintenance;

7. where the products have been used in conjunction with or incorporated into equipment or materials whose specifications have not been approved in writing by the selling company;
8. tampering with the label showing the serial number of the machine;
9. fault or breakage due to transport, acts of vandalism, natural calamities or wilful damage;
10. wrong or bad installation of the product;
11. carelessness, negligence or lack of skill in using the product;
12. failure to comply with the operating instructions in the technical manual;
13. interventions for alleged defects or casual checks;
14. repairs carried out without our authorization.

Malfunctioning of the machine due to the software not being upgraded is not considered a defect. Comestero is not obliged in any way to upgrade the software free of charge or upgrade the mechanical components which may be necessary due to new coins or banknotes being introduced by the Italian and European authorities, when repairing a product that is covered by the warranty. However, such upgrades could still be requested from Comestero and the company is obliged to send a quotation to the customer prior to intervention.

Any repair or tampering carried out on the supplied goods by subjects who are not authorized by us will render the warranty null and void.

We declare to have carefully considered, to the best of our knowledge and manufacturing practices, the issue related to preventing the goods supplied from being violated by persons who intentionally intend to alter their operation. However, we shall not assume any liability for illegal conduct or damage that may result from fraudulent use of the goods supplied. All required repairs not covered by the warranty must be paid for and the Comestero price list shall apply whose updates are regularly communicated.

#### **ART. 4 – Limitation of Liability**

Notwithstanding the hypotheses in art. 1229 of the Italian Civil Code and notwithstanding the mandatory provisions of law, for every damage caused directly or indirectly by failures or delays of the Seller or by the purchased products to objects or persons, including but not limited to lost profits and damage to the corporate image, the compensation payable by the Seller shall not exceed, in any case, 10% of the amount paid by the Purchaser for the product that caused the damage.

#### **ART. 5 – Delivery**

The goods subject of the supply are considered delivered at the time and in the place they are passed on to the carrier; therefore, our company shall not be held liable for total or partial shortages, damage or delays related to transport. Upon delivery, the recipient must duly note any errors or damage on the bill of lading. The Purchaser's refusal to accept or collect all or part of the ordered goods does not suspend obligation to pay. The terms of delivery indicated in the order confirmation allow for a grace period of 60 days. Upon delivery, the Purchaser must carry out a complete technical verification of the quality and functionality of the product within eight days. If



---

not, the product shall be considered accepted without reservations or objections by the Purchaser.

#### **ART. 6 - Retention of Title**

The supplied goods shall remain the property of our company until full payment of the price has been made. In the event of termination of the contract for non-payment, the Seller is entitled to claim the unpaid items held by the Purchaser, which must be returned at the Purchaser's expense. All sums already paid will be retained by the seller as compensation and penalty.

#### **ART. 7 – Terms of payment**

Invoices must be paid in accordance with the agreements and within the deadline specified on the invoice. Any delay in payment will automatically result, without the need of formal notice, the application of interest at the rate stipulated in Legislative Decree no. 231 of 9.10.2002, unless agreed otherwise. If the purchaser delays, each benefit in the terms and conditions that may have been granted shall be deemed null and void and the seller may demand immediate payment of all outstanding amounts as well as of additional orders on receipt of the goods.

EN

#### **ART. 8 – Returns**

Return of faulty goods or of goods requiring our assistance must be expressly authorised by us. Therefore, we reserve the right to reject the return or ask you to return the good to another destination other than our headquarters. We shall be liable for the goods only when it will be delivered to the indicated address.

#### **ART. 9 - Applicable law and court of jurisdiction**

The supplies regulated by these general terms and conditions are governed by Italian law. Any dispute shall be resolved by the Court of Milan.

*Dear customer,  
thank you for choosing **our** product; by following the instructions of this manual carefully you will be able to appreciate and be satisfied by its quality. Please read the operation and maintenance instructions carefully, in compliance with the safety provisions, before using the machine, and store this manual for future reference.*

# Table of contents

<b>Table of contents</b> .....	<b>10</b>
<b>1. Introduction</b> .....	<b>12</b>
<b>2. Product presentation</b> .....	<b>12</b>
<b>3. Warnings</b> .....	<b>12</b>
<b>4. Handling and unpacking</b> .....	<b>13</b>
4.1 Receiving the packaged product .....	13
4.2 Handling .....	13
4.3 Unpacking .....	13
4.4 Identification of the machine and accessories.....	14
4.5 Name of parts .....	15
<b>5. Installation</b> .....	<b>17</b>
5.1 Dimensions .....	17
5.2 Wall mounting .....	18
<b>6. Connections</b> .....	<b>19</b>
<b>7. Starting up the machine</b> .....	<b>20</b>
7.1 Preliminary operations .....	20
7.2 Operation.....	22
<b>8. Programming</b> .....	<b>23</b>
8.1 Preliminary operations .....	23
8.2 Quick maintenance/setup menu .....	23
A. Automatic hopper emptying .....	24
B. Accounting information.....	24
C. Overpay.....	25
8.3 Setup menu .....	25
A. Peripheral status.....	25
B. Import configuration .....	26
C. Coins accepted.....	26
D. Setting up the token value .....	27
D.1 Rationale of dispensing.....	27
E. Banknotes accepted.....	29
F. Coin setup in the hopper.....	29
G. Enabling/disabling the banknote reader .....	29
H. Enabling/disabling the coin mechanism.....	30
I. Language setup.....	30
I.1 Default language.....	30
I.2 Export language.....	30
I.3 Import language.....	31
J. Automatic dispensing.....	31
M. Reset of default conditions.....	31
N. Automatic hopper emptying .....	32
O. Date and time setup.....	32
P. Setup Password.....	32
P.1 Enabling/disabling the password.....	32
P.2. Change of the password .....	33
Q. Saving configuration onto the SD Card.....	33
8.4 Accounting menu .....	34
8.5 Information on using the SD Card .....	36
A. Introduction.....	36
B. Extracting and inserting the SD Card .....	36
C. Viewing data contained in a SD Card on a Personal Computer.....	36
D. Importing firmware updates from a PC to the coin change machine .....	36

---

<b>9. Bootloader and Firmware Upgrade.....</b>	<b>37</b>
9.1 How to upgrade Bootloader .....	38
9.2 How to upgrade Firmware .....	39
<b>10. Care and maintenance .....</b>	<b>42</b>
10.1 External maintenance and cleaning .....	42
10.2 Internal maintenance and cleaning .....	42
10.3 Inactivity periods.....	42
<b>11. Diagnostic and technical support.....</b>	<b>43</b>
<b>12. Technical specifications .....</b>	<b>44</b>
<b>13. Spare Parts .....</b>	<b>45</b>
13.1 Jolly PRO general assembly.....	45
13.2 Cash group Jolly (Cod. J-30-1041-G) .....	46
13.3 Bonnet group (Cod. 1041-30-0100-A) .....	47
13.4 Jolly – Door group – Cash (Cod. J-30-1041-B).....	48
13.5 Jolly hopper slide fixed (Cod. J-30-1041-M) .....	49
13.6 Display 128x64 group (Cod. 1041-30-0200-A).....	50
13.7 Cash LED bracket group (Cod. 1041-30-0900-A) .....	51
13.8 Wiring group Jolly PRO (Cod. 1041-30-0500-A).....	51
13.9 Silkscreen and labels .....	52
13.10 Small parts group (Cod. C6-V-J).....	53
<b>14. Appendixes .....</b>	<b>55</b>
14.1 Decommissioning and disposal.....	55



# 1. Introduction

This manual and its annexes provide all information needed to install and operate the product and all its parts, as well as some technical information for correct maintenance. The information in this manual can change without notice and is not binding for Comestero. The information in this manual has been collected and verified with utmost care; however Comestero cannot be held liable for any claim deriving from using the manual. When not specified otherwise, all references to companies, names, contacts and addresses used in the examples are purely fictional and have the aim of illustrating the operation of the product. It is prohibited to reproduce this document, even partially, in any form without express authorization by Comestero. **When you want to learn more about how to use the product, or you are unsure how your device should function, see our online support pages at the address <https://www.aus.at>**

## 2. Product presentation

The new Jolly PRO is a compact and versatile coin change machine that significantly rises the quality standards of the previous generation. All installed peripherals are connected by means of the ccTalk communication protocol, ensuring maximum security against electronic frauds. Coin acceptance section is taken care by the new RM5 HD coin mechanism (if installed), while hoppers and banknote readers are of the latest generation of devices, highly improved as for reliability and duration. Jolly is also equipped with a high performance electronic board, the same that is installed on the top range models, allowing functions that are now fundamental such as exporting accounting data or cloning the machine and exporting setup data onto another machine. All is enclosed by a highly resistance cabinet with steel door and 8 locking points, for a high level of protection against tampering.

## 3. Warnings



Read this manual carefully before installation. Knowledge of the information and instructions of this manual is fundamental to use the product correctly. Check upon receipt that the package and the product have not been damaged during transport. Take care with the electrical connections. Faults due to failure to follow the warnings of this publication are not covered by warranty. Significant situations that need to be followed strictly are signalled by specific symbols in this manual.

---

## 4. Handling and unpacking

### 4.1 Receiving the packaged product

Check upon receipt that the product has not been damaged during transport. If any damage is noticed notify the transporter immediately.

After transport the package must be complete, that is, it must not:

- show dents, signs of shocks, deformation or breakages of the container.
- show areas that are wet or signs that would point out to the fact that the casing has been exposed to rain, frost or heat.
- show signs of tampering.

Check that the content of the package matches the order.

EN

### 4.2 Handling



In order to avoid damage to the machine we recommend moving it only within its original package, using suitable handling machines. Take care to follow the handling instructions printed on the box. Since the machine is heavy, we recommend moving Jolly PRO only with automatic or manual trolleys purposely built for moving goods; if this is not possible, slide the coin change machine on its base or on a wheeled platform until reaching the desired installation area.

Jolly PRO has four adjustable feet that allow it to be levelled also on uneven surfaces, improving its stability; adjust the height of these devices according to the characteristics of the support area. We recommend adding a ballast in the lower part of the coin change machine and to fix the machine to the wall by means of expansion brackets in order to increase stability and anti-theft security.

After initial inspection, replace the machine in its packaging to transport it to the final installation area.

We recommend :

*not* to drag the machine;

*not* to overturn or lay down the package horizontally during transport and handling;

*not* to bump the machine;

*not* to leave the machine (even if still in the package) under weather agents;

### 4.3 Unpacking

After being tested and equipped the machine is delivered within a corrugated carton package which ensures it is protected during transport and handling. To facilitate loading/unloading the product, also by means of earth moving machines (transpallets), the box sits on an appropriate wooden pallet.



Follow the instructions printed on the box to unpack the machine. Both the carton package and the pallet meet the standards for recycling and disposal (follow current local regulations).

#### 4.4 Identification of the machine and accessories

Figure 5 below shows the location of the identification label showing the main operating and identification characteristics of the machine. The serial number printed in the appropriate field is particularly important.

Always mention this number any time you require service, parts, repairs or information relative to the operation of the machine.

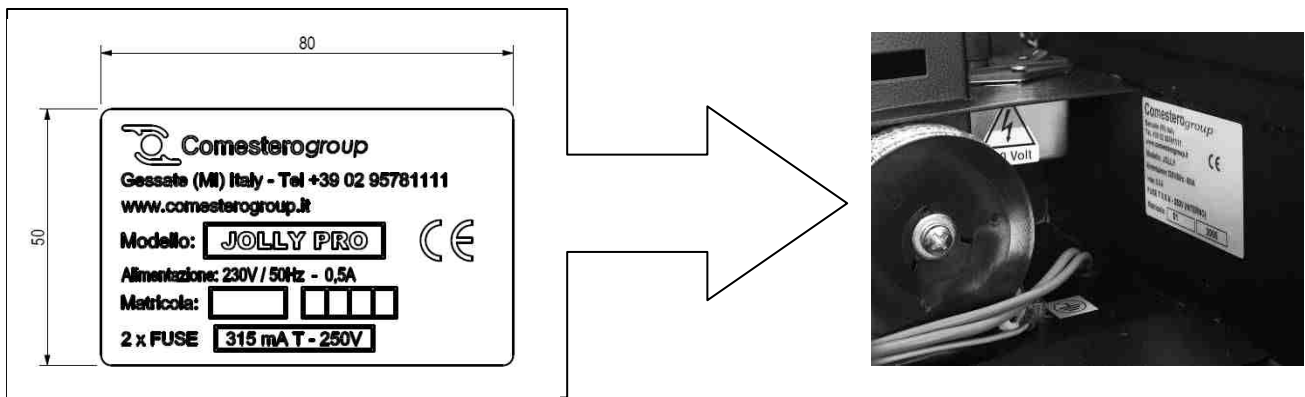


Fig. 5



The machine identification label must always be clearly readable. It is prohibited to remove it or tamper with the data printed in it. If damaged or lost, request a new replacement label from the manufacturer. The label is applied to the machine as shown in Figure 5.

Please remember that the warranty is tied to the machine identification number.

## 4.5 Name of parts

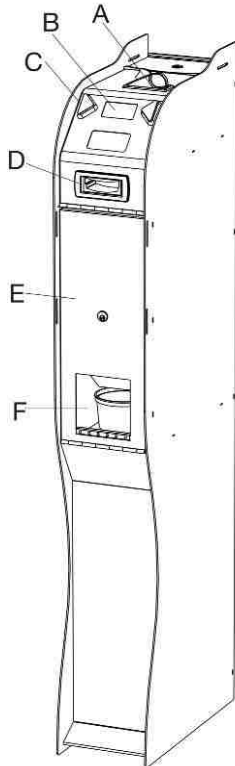


Fig. 6

- A. Coin input.
- B. Graphic display.
- C. Selection buttons.
- D. Banknote reader.
- E. Central compartment.
- F. Coin dispensing area.

EN

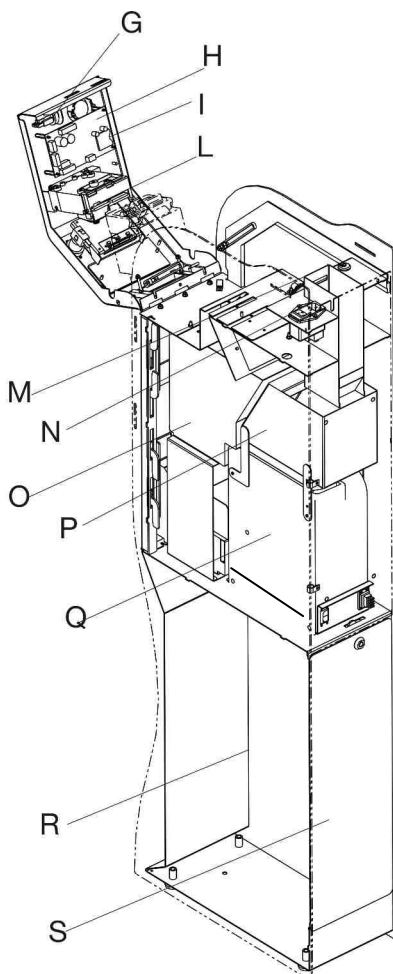


Fig. 7

- G. Programming button.
- H. Electronic board.
- I. SD Card slot.
- L. Electronic coin mechanism.
- M. Hopper loading chute.
- N. Power ON button.
- O. Cash box.
- P. Hopper extension.
- Q. Hopper.
- R. Ballast compartment.
- S. Ballast compartment door.

The product includes the following standard accessories:

- Compartment keys:

Two keys are provided for each lock of the machine.

We recommend creating two sets of keys and storing spare keys in a safe place other than the place normally used for the service set of keys.

Furthermore, we recommend noting down the serial number engraved on each key so that a duplicate key can be requested if the key is lost.

- Loading funnel:

It allows to load the hoppers without having to turn OFF the machine and without opening the cash box compartment. In order to load the hopper you need the key opening the upper tray.

- SD Card:

It allows to export accounting data onto a PC or exporting setup parameters onto another machine.

- Operating manual.
- Power cord.



## 5. Installation

### 5.1 Dimensions

The following drawing shows the dimensions of the machine in order to facilitate its placement and installation.

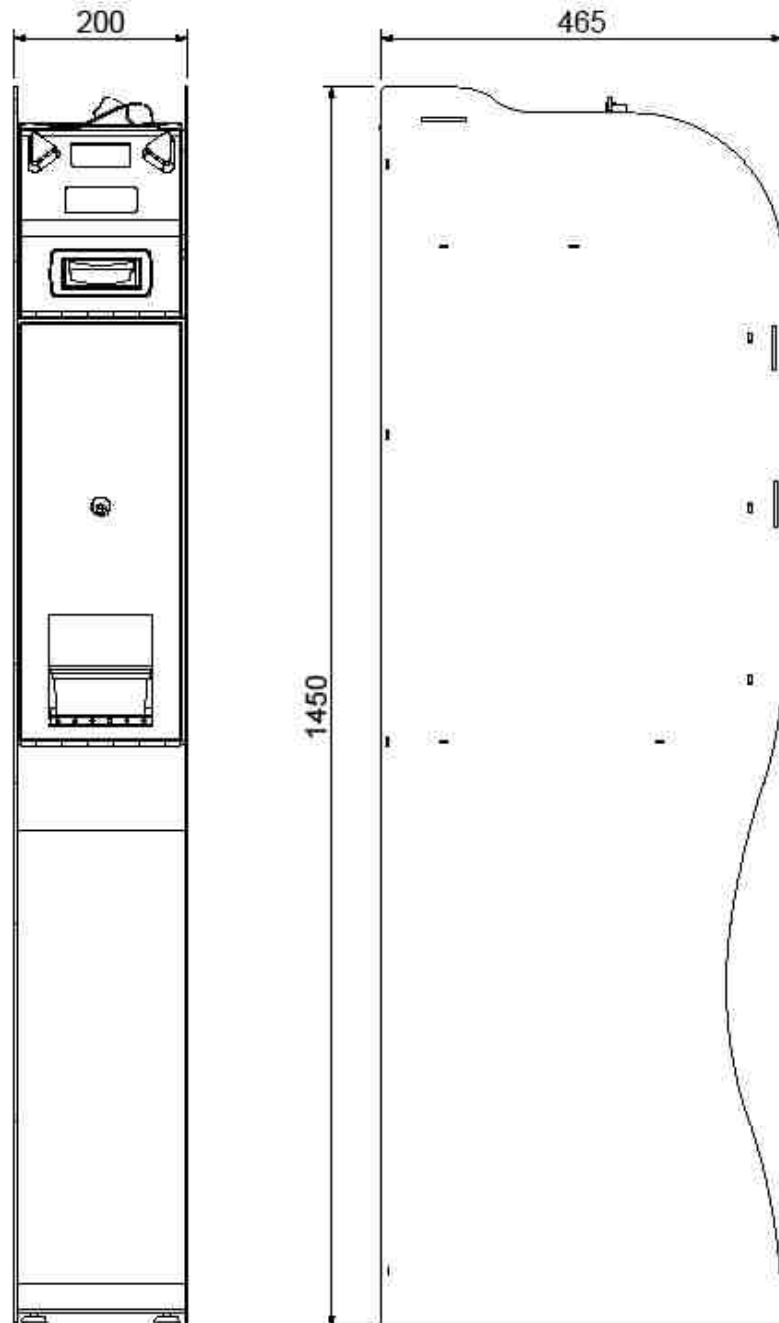


Fig. 7

## 5.2 Wall mounting

We recommend fixing the machine to the wall by means of expansion brackets. Jolly PRO has four pre-cut holes on the back of the cabinet, used to mount it to the wall (Fig. 8 - back of the machine) and two holes on the base to fix it to the floor (Fig. 9 - base).

Jolly PRO also has four adjustable feet that allow it to be levelled also on uneven surfaces, improving its stability; adjust the height of these devices according to the characteristics of the support area.

We recommend adding a ballast in the lower part of the coin change machine in order to increase stability and anti-theft security.

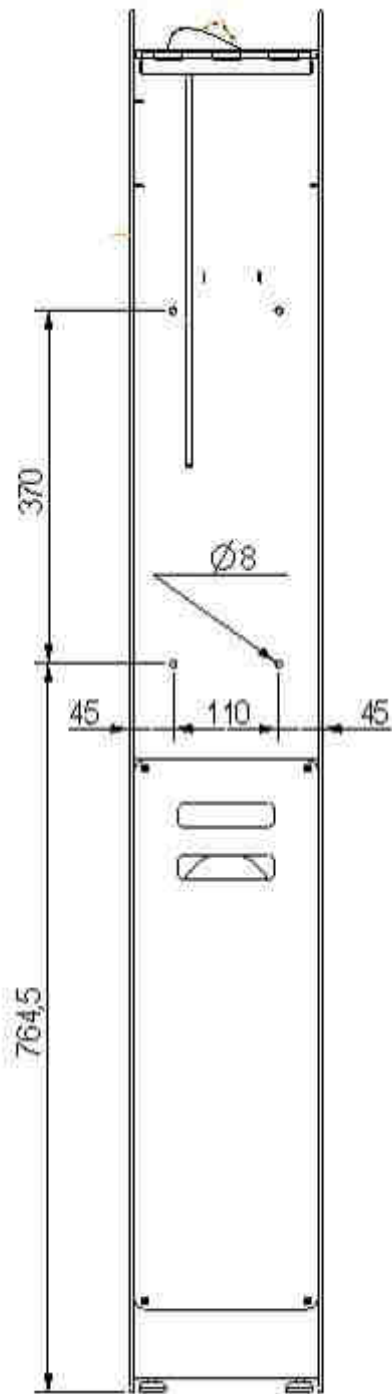


Fig. 8

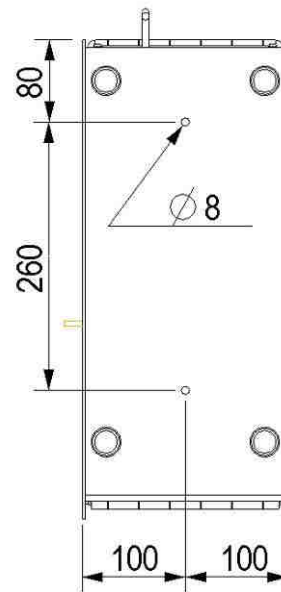


Fig. 9

## 6. Connections



All electrical connections of the machine are already installed except the power supply. Before connecting to the grid make sure the main switch of the machine, on the front compartment inside the coin change machine, is in position “0”, off, as shown in Figure 10.

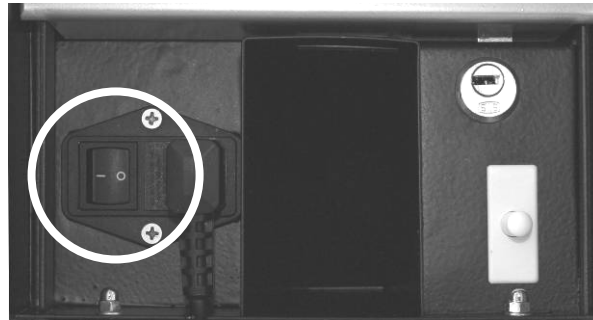


Fig. 10



Check that the power socket to which the machine is going to be connected has an electrical rating suitable to the machine and that it is protected by a residual current device with suitable rating. Plug the machine to the grid by means of the supplied cable (the cable, already plugged to the main switch of the machine, is located in the rear part of the machine).

EN

**NOTE :**

**Refer to the specific regulations on protection from electrical arcing for the installation.**

## 7. Starting up the machine

This machine is delivered from the factory with a standard configuration that can be modified.

### 7.1 Preliminary operations

Before starting the machine, fill the dispensers (to exit from the EMPTY condition).

In this way the various payment systems are enabled and the machine is ready. To fill the hopper, open the top door so that you can access the dispenser and pour the coins in the appropriate compartment.

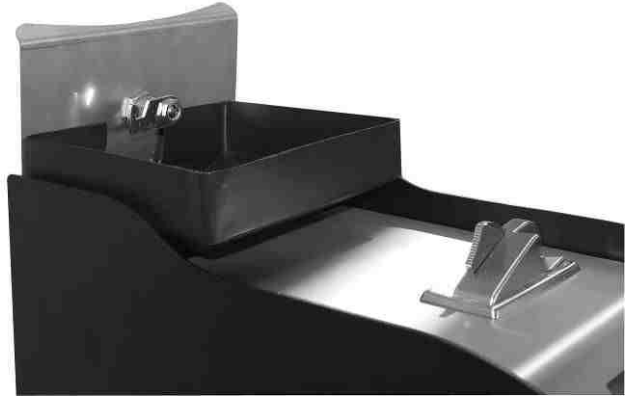


Fig. 11

If the coin change machine is equipped with hopper slides that facilitate its extraction (optional), the operation is performed by sliding the hopper from the cabinet; open the cash box door, extract the machine from the cash box, slide the hopper, load it, replace it and close the coin change machine (Fig. 12).



Fig. 12

Turn ON the coin change machine with the Power ON button located under the tray (Fig. 10)

**NOTE :**

**The extraction and insertion of the hopper must be carried out when the machine is off in order to avoid damaging the machine.**

The hopper and the cash box are located in the central compartment of the coin change machine, protected by a safety lock that controls an 8-point locking systems for the cabinet; in order to access the cash box, its door must be opened by 180°.

In order to remove the cash box, slide it along the bottom of the coin change machine, using the supplied chrome plated handle.



Fig. 13

In order to insert the cash box again, lift it by the handle, place it on the bottom of the compartment and slide it toward the back of the cabinet until it touches the hopper (Fig.13).

**NOTE :**

**The back of the cash box must remain under the hopper slide as shown in Figure 14.**

A cash box inserted wrongly could cause a malfunction of the machine (always make sure the cash box is fully against the hopper).



Fig. 14

In a standard configuration the hopper cannot and must not be removed (sliding the hopper off its slide or tampering with the machine in order to carry out this operation voids the warranty).

If the machine is supplied with an extraction slide (capable of withstanding several thousand cycles of extraction and insertion), proceed as follows after extracting the cash box as shown above.

To extract the hopper, grab it on one of its opening and pull it toward yourself; once you come near the access compartment, grab it on the top of the extension and extract it entirely.

To facilitate transport, the hopper extension is equipped with a top hook point (Fig. 15).



Fig. 15

To replace the hopper in its housing, lift it and place it on the bottom of the dispensing compartment, slide it gently on its slide toward the back of the cabinet until it reaches the end; a specific centring and connection system automatically wires the hopper once the correct position has been reached.

**NOTE:**

**Do not try to force the hopper toward the back of the cabinet if you are not sure it is correctly housed on its slide.**



The extraction and insertion of the hopper must be carried out strictly when the machine is OFF.

## 7.2 Operation

Turn ON the coin change machine with the switch located inside it (Fig. 10).

When the machine is on, the display will show the version of the program, which will automatically disappear after a few seconds.

The following is the standard operation of the coin change machine: if settings have been adjusted differently than those set in the factory, the machine could behave differently than what is described below (see the “Programming” chapter).

Unless otherwise required by the customer upon purchase, the coin change machine will be programmed and set up as follows:

### Setup

- Standard menu languages: Italian/English/Spanish/French
- Cash managed:
  - Banknotes: 5/10/20/50 Euro.

- 
- Coins: 0.05/0.10/0.20/0.50/1.00/2.00 Euro.
  - Reader setup: Acceptance of 5/10/20/50 Euro.
  - Coin mechanism setup: with 0.05/0.10/0.20/0.50/1.00/2.00 Euro.

## Programming

- Dispenser value: 1.00 Euro.
- Dispensing choice :
  - Level 1.1 1.00 Euro.
  - 1x1.00 Euro = (1.00).
- Max Introduction: 50 Euro.
- Remaining credit: YES for 1 minute.

This setup enables the coin change machine to accept banknotes of 5, 10, 20 and 50 Euro and coins (if equipped with coin mechanism) of 0.50, 1 and 2 Euro, changing them into 1 Euro coins. A user trying to use the coin change machine can insert up to 50 Euro into the payment systems (banknote readers and/or coin mechanism); the user must press the green button on the front plate of the machine in order to get change on par (that is the value of dispensed coins is equal to the total of cash inserted); any remaining credit, generated by the fact that an amount has been inserted that cannot be divided perfectly by the amount of dispensed coins (1€), will be displayed and can be reused within one minute; after this period the amount is lost and the coin change machine display will return to the main screen.

EN

## 8. Programming

### 8.1 Preliminary operations

In order to change the operation settings of the coin change machine or to access the programming function, press the button (G) inside the upper door. When the setup button is pressed (G), the operating status of the coin change machine will pass to setup mode. All setup operations are performed by means of the selection buttons (C) and the display (B). Jolly PRO has a quick setup menu (called quick menu) which includes the most common maintenance and configuration functions, as well as a complete menu divided into accounting and setup menu.

Navigation through the quick, accounting and setup menus is by means of the two selection buttons (C) on the front plate of the coin change machine. Take into consideration that the left button is usually associated to navigation while the right button is used to select/confirm.

### 8.2 Quick maintenance/setup menu

The quick setup menu includes the most common maintenance setup functions used by the manager. To access the menu, set the coin change machine in programming mode by pressing the setup button (G) inside the compartment of the coin change machine.

The display will show the first screen of the quick maintenance and setup menu.

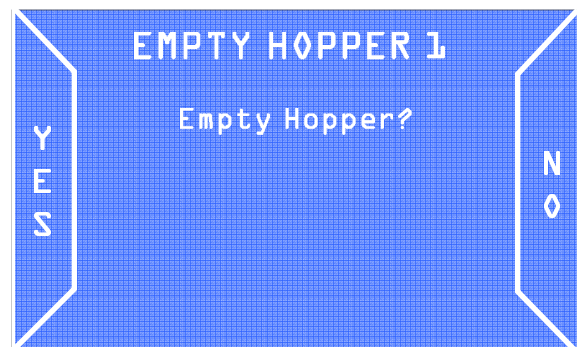
The display will show the first screen of the quick maintenance and setup menu.



To access the menu press one of the two selection buttons, the display will show the first screen to empty the hopper.

### A. Automatic hopper emptying

Select YES to start the automatic hopper emptying procedure, or NO to go to the screen below.

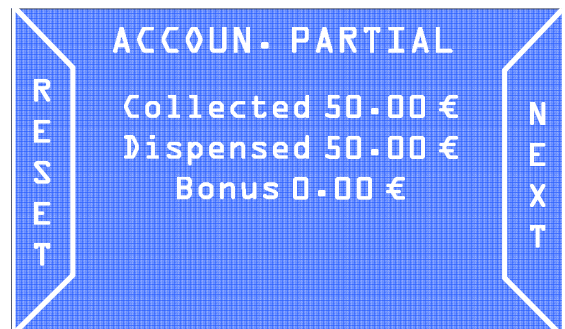


**NOTE :**

The procedure can be interrupted at any moment during hopper emptying by pressing one of the two buttons again.

### B. Accounting information

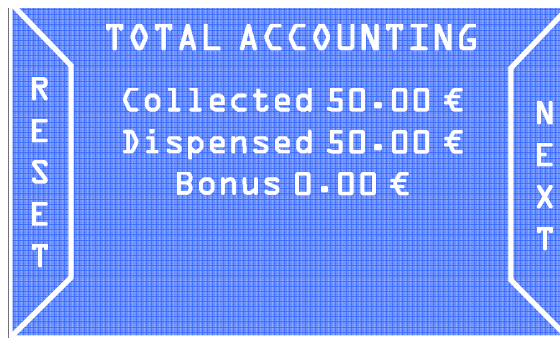
The second item of the quick menu is the partial accounting screen, where general information on earnings and dispensing can be viewed.



When RESET is selected the partial accounting data are cleared, while by selecting NEXT you proceed to the next screen.

The third item of the quick menu is the total accounting data. Similarly to the partial accounting data, when RESET is selected, the total accounting data are cleared, while selecting NEXT you proceed to the next screen:





At the end of the quick menu the screen here on the right, is shown. Select START to restart with the quick menu, or COMPL to access the complete menu.



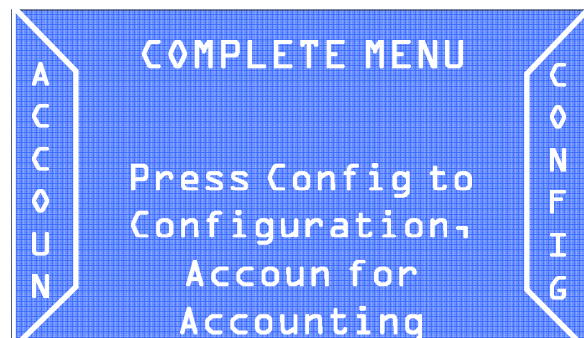
### C. Overpay

Every time an overpay takes place, that is a failure to change coins, the coin change machine records the event in the log so that all overpays can then be shown in a list. If no overpay takes place, the display will show the screen you can see here on the right.



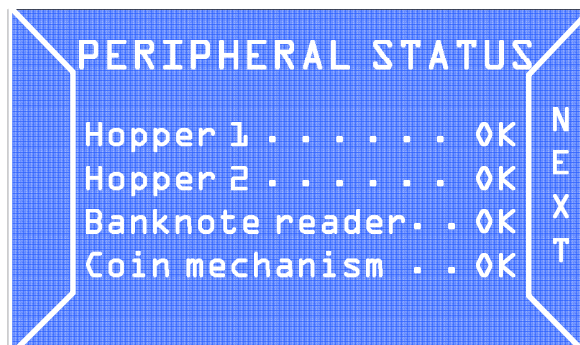
## 8.3 Setup menu

From the initial screen of the complete menu, select CONFIG to access the setup menu.



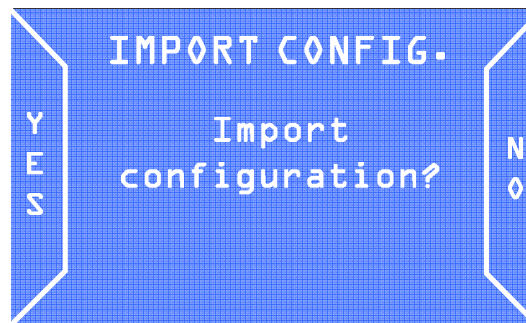
### A. Peripheral status

The first screen of the complete menu shows the status of all peripherals installed in the coin change machine. If the peripheral is operating correctly, it will be marked with "OK", otherwise an "Alarm" message will be displayed next to the corresponding peripheral. Select NEXT to move to the next screen.



### B. Import configuration

From the “Import configuration” screen it is possible to install the operation settings saved on a SD Card onto the coin change machine.



**NOTE:**  
**This function can be accessed only if a SD Card with configuration data is inserted in the appropriate slot (N).**

In order to import the setup parameters into the coin change machine select YES, otherwise select NO to move to the next screen without importing data.

### C. Coins accepted

The “Coins accepted” screen enables or disables the types of coins to be accepted by the coin change machine (if a coin mechanism is installed).  
 Select SKIP to ignore this menu or ENTER to enter and change the settings.



After entering the sub-menu, the display will show the screen you can see here on the right.



Select ENABLE/DISABLE to enable/disable the acceptance of the corresponding banknote, then select NEXT to move to the next banknote.



If the NEXT button is pressed again after the sixth coin, you can verify the type of value associated to any token inserted in the hopper.

In the example, a value of 3 Euro is assigned to the token.

This function is valid also for the second hopper (if present).

## D. Setting up the token value

To assign a value to the type of token inserted into the hopper, select YES in the following screen.



The display will show the screen here on the right.

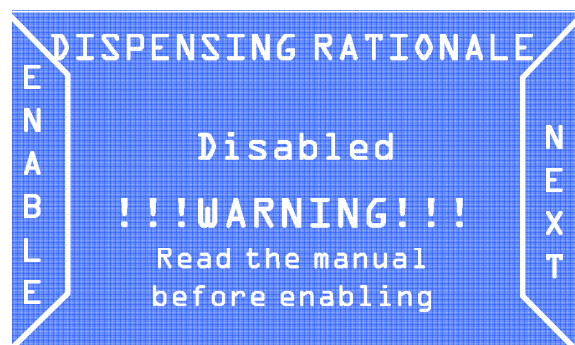


You can set an Euro value for the token by means of the left button (CONTIN) and right button (CHANGE).

A token value can also be entered for the second hopper (if present).

### D.1 Rationale of dispensing

The combination of change dispensed for specific inserted cash values can be set. Select ENABLE in the DISPENSING RATIONALE screen.



EN

The display will show the following security message, select YES to proceed.

**NOTE :**  
**If the dispensing rationale is not changed, the coin change machine will dispense change according to a criterion of piece parity (only if 2 hoppers are present).**



The table of change combinations will be shown, as you can see here on the right.



There are 5 intervention levels.

Three tables are present for each level, corresponding to the 3 change combinations that the coin change machine will offer to the end-user.

An inserted value (corresponding to the change value to be dispensed, expressed within brackets) and the combination of dispensed change can be set for each table. In the following example, when 5 Euro are inserted the coin change machine will dispense a change combination of five 1 Euro coins.

This function also enables the management of any bonus to be dispensed upon change. When an additional value is entered within brackets, the coin change machine will dispense the corresponding additional value in tokens.

*For example:*



When 5 Euro are inserted, the machine will dispense a change in token equal to 6 Euro; therefore 6 tokens of 1 Euro value.

**NOTE :**

**We recommend applying the bonus policy only when changing cash into tokens.**

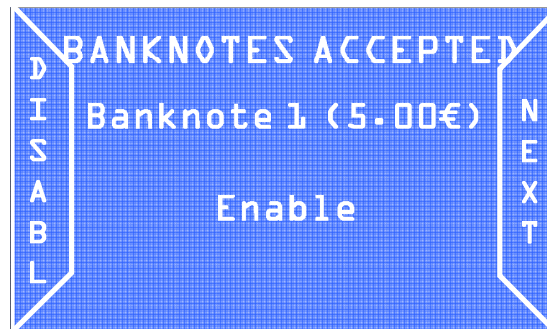
### E. Banknotes accepted

In the “banknotes accepted” screen, select SKIP to ignore this menu. ENTER to access the menu in order to enable and disable the banknote denominations to be accepted by the coin change machine.



EN

Select ENABLE/DISABLE to enable/disable the acceptance of the corresponding banknote, then select NEXT to move to the next banknote.



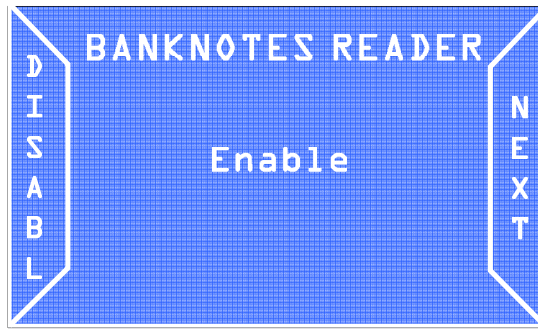
### F. Coin setup in the hopper

In order for the coin change machine to operate properly, the type of coins filling the hopper must correspond to the value set in the “Coin hopper” screen. Press NEXT to access the following menu, or NEXT to move to the next coin.



### G. Enabling/disabling the banknote reader

The installed banknote reader may be enabled/disabled by means of the “Banknote reader” screen.



Select NEXT to move to the next menu. Select ENABLE/DISABLE to toggle the status of the reader between enabled and disabled.

## H. Enabling/disabling the coin mechanism

The coin mechanism may be enabled/disabled by means of the “Coin mechanism” screen.



Select NEXT to move to the next menu. Select ENABLE/DISABLE to toggle the status of the coin mechanism between enabled and disabled.

## I. Language setup

The operating parameters relative to the languages managed by the coin change machine can be set up in the following screens.

### I.1 Default language

The default language used by the coin change machine to communicate with the end-user and the maintenance operator can be chosen in the screen on the right. It is possible to choose from four languages.



Select NEXT to move to the next menu. Select CHANGE to change language.

### I.2 Export language

The language pack included in a coin change machine of the “Pro” series can be exported into a coin change machine of the same series by means of the included SD Card using this screen. The language pack will be written onto the onboard SD Card.



Select NO to move to the next menu. Select YES to export the language pack onto the onboard SD Card.

### I.3 Import language

The language pack included in a coin change machine of the “Pro” series can be imported into a coin change machine of the same series by means of the included SD Card using this screen. The language pack will be downloaded onto the SD Card from the CPU of the coin change machine.

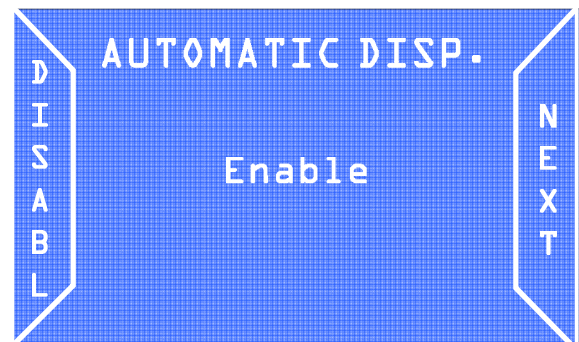
Select NO to move to the next menu. Select YES to import the language pack from the onboard SD Card onto the CPU.



### J. Automatic dispensing

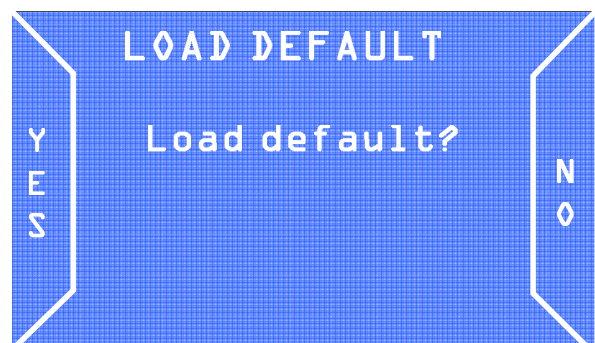
Automatic dispensing is the automatic dispensing of change (from one hopper) when a banknote is inserted, without the need to press any button.

Select NEXT to move to the next menu. Select ENABLE/DISABLE to toggle the status of the automatic dispensing between enabled and disabled.



### M. Reset of default conditions

The factory settings can be reset (default) by means of the “Load default” screen.



Select NO in order not to reset the default settings and to move to the next menu. Select YES to reset the default settings and move to the next menu.

EN

## N. Automatic hopper emptying

The hopper can be automatically emptied by means of the Empty hopper screen.



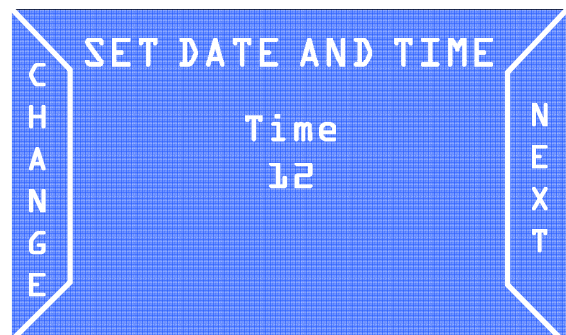
Select YES to start the automatic hopper emptying procedure, or NO to go to the following screen.

**NOTE :**

**The procedure can be interrupted at any moment during hopper emptying by pressing the button again.**

## O. Date and time setup

The date and time can be set up by means of the “Date and time” screen.



## P. Setup Password

The operating parameters relative to the password protecting the access to setup and maintenance menus can be set up in the following screen.

### P.1 Enabling/disabling the password

From the “Enable password” screen you can enable/disable the password request to access the setup and accounting menus.



Select NEXT to move to the next menu, ENABLE/DISABLE to toggle the status between enabled and disabled.



## P.2. Change of the password

The password can be changed from the “Change password” screen, shown here on the right.

Select NO to move to the next menu. YES to change the password.



If you want to change the password, the old password must be entered first, or the **default password (1111) must be entered** if the password was never changed before. The display will show the screen you can see here on the right.



EN

Select CONTIN to move the cursor from one digit to the other, select CHANGE to increase the selected digit. The new password is then requested:

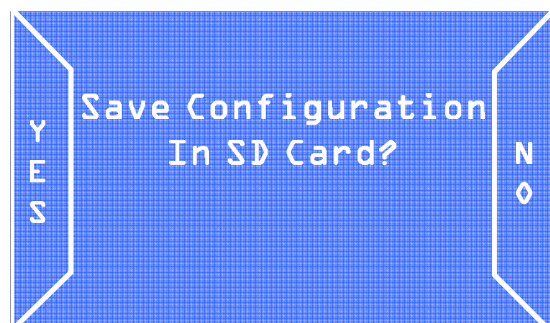


Select CONTIN to move the cursor from one digit to the other, select CHANGE to increase the selected digit. Finally keep pressed to confirm and move to the next screen.

## Q. Saving configuration onto the SD Card

All modifications of the configuration parameters can be saved onto the SD Card.

When the configuration operations have ended, the display will show the screen shown here on the right.



Selecting NO the setup will not be saved and you will exit from the menu, while selecting YES the setup will be saved onto the onboard SD Card.

### 8.4 Accounting menu

Information on accounting data can be viewed, in terms of money collected and money dispensed, by means of the accounting menu.

Accounting is divided into partial accounting and total accounting.

From the complete menu select ACCOUN to access the accounting menu.



The display will show the first accounting screen, which shows a list of partial and total accounting data for incoming and outgoing money.



Select NEXT to see the accounting data relative to Bonuses.



Select NEXT to move to the next screen, relative to the detailed accounting of banknotes inserted.



Select NEXT to move to the next screen, select OTHER to see the detailed accounting for other banknote denominations.

The same type of information is available for coins in the following screen.



Select NEXT to move to the next screen, select OTHER to see the detailed accounting for other types of coins.

EN

Finally, the same applies to coins dispensed.



The accounting data stored can be reset in the “Reset log” screen. Select one of the following functions with SELECT:

- Reset partial:** to reset partial accounting data.
- Reset total:** to reset total accounting data.
- Exit:** to move to the next screen.



Then select EXEC to confirm the selected function.

All accounting data can also be exported on the onboard SD Card and then processed on a personal computer.



Select NO to exit, YES to export the accounting data.

## **8.5 Information on using the SD Card**

### **A. Introduction**

An SD Card is a compact storage unit with variable storage capacity. All coin change machines of the new Pro series are equipped with an electronic board with a slot, where a SD Card supplied with the machine is already inserted. A series of files working only on Pro series coin change machines of the same model can be stored on the memory of the SD Card, following the procedures explained above.

### **B. Extracting and inserting the SD Card**

The SD Card supplied is already inserted in the appropriate slot of the electronic board of the coin change machine.

To extract the SD Card from the slot, press it on the free side: a spring loaded system will release the card that can then be extracted.

When re-inserting the SD Card into the slot, press it until it clicks.

### **C. Viewing data contained in a SD Card on a Personal Computer**

All various data contained in a SD Card can be viewed on a PC with Microsoft Excel. The PC must be equipped with a standard SD Card reader, where the card must be inserted. If the PC does not have an inbuilt reader, various SD Card universal readers are available on the market, to be connected to the PC via USB cable. (Contact a local dealer for further information).

After inserting the SD Card into the reader and after the PC recognizes it correctly, access “My Computer” and select the SD Card, usually recognized as a “Mass storage device”; by clicking on it the PC will automatically recognize the file contained in the SD Card and will start a program suitable to view its contents. For example, if accounting data or the history log have been saved on the SD Card (see the “exporting accounting data” section in this manual), the data will be viewed with Microsoft Excel.

### **D. Importing firmware updates from a PC to the coin change machine**

In order to import a firmware update onto the coin change machine (firmware upgrade), the update must be copied onto the SD Card using a PC; for further detail on how to read and write data onto a SD card, see the previous paragraph. Once the update has been loaded onto the SD Card, you only need to insert it into the slot of the coin change machine; when turned on, a special sound will warn that the upgrade has been concluded.

---

## 9. Bootloader and Firmware Upgrade

This chapter explains how to upgrade the software (Bootloader and/or firmware) on board the change machine Jolly PRO.



It is not necessary to save the configuration or the accounting before making upgrades. The procedures to upgrade the Bootloader and/or Firmware will keep unchanged both the configuration and the accounting of the machine.

Since the upgrade of the Bootloader is a delicate operation, the upgrade files will be provided only upon specific request by the customer. Call the after-sales service at the following telephone number : (+43) (0)1 271 6600 to get a copy of the file.

EN

From now on, we will suppose that the customer is already own of the Bootloader updgrade files and is thus able to complete the upgrade operation in complete autonomy. Jolly PRO is designed to avoid any kind problems during the upgrade. The machine is able to perform the operation in a fast and very easy way both for the Bootloader and the Firmware. Make sure to have at your disposal one or more of the following three alternatives before making the upgrade operation:

- One SD Card to make the upgrade of the Bootloader and/or the firmware (you can use the card already available on board the change machine).



The SD Cards available in commerce with same capacity have all the features and performances different from each other and sometimes even contrasting with the declared characteristics. Therefore, to preserve the functionality and the performances of the machine Jolly PRO, when it necessary, use only the SD Card approved and supplied as a spare part.

- One built-in or externally card reader connected to the PC.
- Bootloader and/or firmware upgrade files.
- For more information about the change machine Jolly PRO, please refer to the dedicated support page at the following address : <https://aus.at/supportcenter/supportcenter.html>



We recommend that you always upgrade the Bootloader and/or the Firmware of your machine to the latest version in order to achieve maximum benefit from the latest upgrades and features.

## 9.1 How to upgrade Bootloader



The Bootloader's upgrade operation will always involve the removal of any information regarding the machine firmware. At the end of the installation process will always be necessary to proceed with restoring the firmware version previously installed on Jolly PRO, as described later in this section.

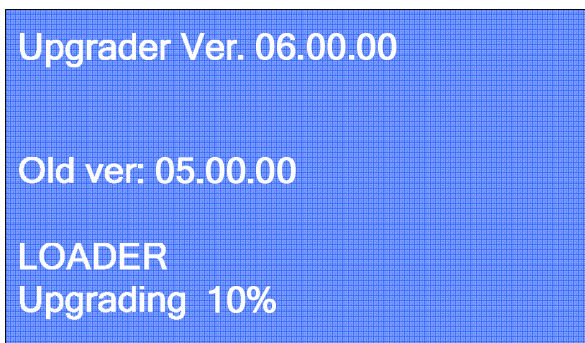
To fully upgrade the machine's Bootloader, you must perform the steps described in the following 16 easy steps.

- a) Remove the SD card from the SD card slot (if you don't have the card provide with the machine, you can request a new one contactinafter-sales service), and then insert it into your PC.
- b) Only if you are using the SD Card onboard the machine, please before copying the Bootloader's upgrade file, you must save all your data in any folder on your PC.
- c) Format the SD card only in "FAT" mode. Other modes are not valid.
- d) Copy the 2 files you can find in the Bootloader upgrade file (without rename files and without creating any folders inside) into the SD Card.
- e) Turn OFF the change machine Jolly PRO and make sure that the main switch of the unit is in the OFF position.
- f) When the change machine is turning OFF, insert the SD card containing the Bootloader upgrades inside the machine CPU's slot. Always observe the orientation of the card (the side with manufacturer's label facing up) and make sure to have it properly pushed towards bottom.
- g) Turn ON the machine.
- h) When the machine is turning ON, it will display a screen similar to the one shown in the first Figure below. On this screen, you can always check the Bootloader version (first line under the heading "Upgrader Ver 06:00:00") installed on board the change machine.

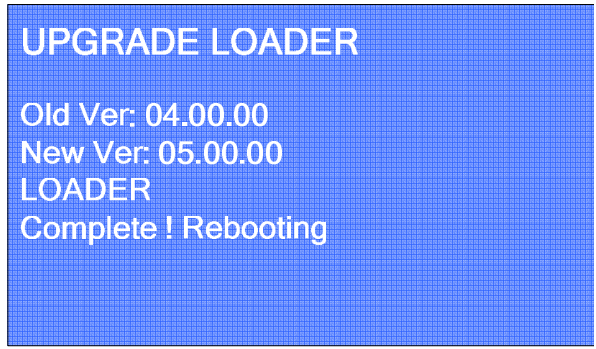
- i) Press the external blue button within 5 seconds to start upgrading.



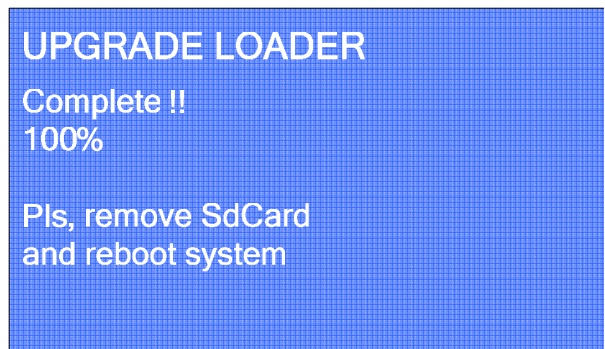
- j) The upgrade will start and a screen, very similar to the one shown in Figure here on the right, will be displayed. In this way you can always check the percentage of completion of the upgrade (indicated by a progressive counter).



- k) When the upgrade is complete, the change machine will show on screen the message : "Complete! Rebooting, as shown in the Figure here on the right.
- l) The machine will reboot. Wait for the complete reboot until you will see on display the screen shown in the Figure at point m) below.



- m) If all has been successfully completed, the change machine will show on video the message "Complete !! 100% Pls, remove SD Card and reboot sistem ", as shown in the Figure here on the right.



EN

- n) Turn OFF the machine and make sure that the main switch of the unit is in the OFF position.
- o) Remove the SD card containing the Bootloader upgrade from the slot and proceed with the firmware upgrade as described in the next section called "How to Upgrade Firmware".

- p) If you failure to restore firmware of the machine after you upgrade the Bootloader, on the display you will see a message very similar to the one shown in the Figure here on the right.

In this case, turn OFF the machine and insert the SD card containing the firmware of the change machine Jolly PRO and proceed with the firmware upgrade as described in the next section.



## 9.2 How to upgrade Firmware

To fully upgrade the machine's Firmware, you must perform the steps described in the following 17 easy steps.

- a) Remove the SD card from the SD card slot (if you don't have the card provide with the machine, you can request a new one contacting the after-sales service), and then insert it into your PC.
- b) Only if you are using the SD Card onboard the machine, please before copying the Firmware upgrade file, you must save all your data in any folder on your PC.
- c) Format the SD card only in "FAT" mode. Other modes are not valid.

- d) To download the necessary files you need to upgrade your machine's Firmware, go to <https://aus.at/supportcenter/supportcenter.html> and click on the Support tab.



In the event you have no internet access, you can request the necessary files contacting the after-sales service at the following telephone number: **(+43) (0)1 271 66 00**.

- e) Unzip the file you have just downloaded (or received by the after-sales service) in any folder on your PC.
- f) Copy all the Firmware files contained in the folder (without rename files and without creating any folders inside) into the SD Card.
- g) Turn OFF the change machine Jolly PRO and make sure that the main switch of the unit is in the OFF position.
- h) Insert again the SD Card into its slot onboard the machine's CPU. Always observe its orientation (the side with manufacturer's label facing up), and make sure to have it properly pushed towards the bottom.
- i) Turn ON the machine.

- j) Once you have turned on the machine, it will display a screen very similar to the one shown in Figure here on the right.

Upgrader Ver. 06.00.00

New ver: 05.00.00  
LINEA PRO  
Push Button to start  
Upgrading 5

- k) Press the external blue button within 5 seconds to start upgrading. When the upgrading is started, you will see a screen very similar to the one shown in Figure here on the right. In this screen you can see the percentage of completion of the upgrading (its progress is indicated by a percentage of completion (%) from 0% to 100%.

Upgrader Ver. 06.00.00

New ver: 05.00.00  
LINEA PRO  
Upgrading 10%

- l) At the end of upgrading, the change machine will show on the screen the message "Complete! Rebooting", as shown in the Figure here below.
- m) Wait for the complete restart until, on the machine's display, is shown the screen you can see in the Figure at point n) below.



## UPGRADE LOADER

Old Ver: 04.00.00  
New Ver: 05.00.00  
LINEA PRO  
Complete ! Rebooting

EN

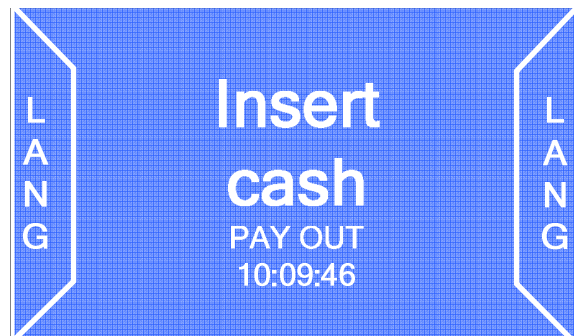
- n) At the end of upgrading, if the process has been successfully completed, the change machine will show on screen the message “Complete !! 100% Pls, remove SD Card and reboot system”, as shown in the Figure here on the right.

## UPGRADE LOADER

Complete !!  
100%

Pls, remove SdCard  
and reboot system

- o) At the end of upgrading, If there are no error, the change machine Jolly PRO will restart automatically. When complete the screen will display the usual banknotes or coins acceptance screen, as shown in Figure here on the right.



- p) Turn OFF the machine, making sure that the machine’s main switch is in the OFF position.
- q) Remove the SD card and insert it into an SD card reader connected to a computer. Delete the file “ChangerMachine.bin” and re-insert the SD Card into the machine.



You must delete the “ChangerMachine.bin” file from SD Card after you upgrade the machine’s Firmware, to avoid that, every time you turn ON the machine, it automatically starts the Firmware upgrading.



Never delete the files inside the SD Card, except for the .bin file mentioned above. In this way you will preserve all previously accounting, etc ...data saved on the card.

In the event you need help or for any other problems you are encountering is not described in this section, please contact our after-sales service at the following telephone number : **(+43) (0)1 2716600.**

Alternatively, you can consult our online support service at <https://aus.at/supportcenter/supportcenter.html>

- r) Insert the SD card into the change machine and turn ON Jolly PRO without pressing any key.

## 10. Care and maintenance



All maintenance inside the machine must be carried out when the power supply has been switched OFF.



Follow the warnings carefully so that the machine is always in the best operating conditions, preventing dangerous situations or situations which would render the warranty null and void.

### 10.1 External maintenance and cleaning

Clean the exterior surface of the machine; use a damp cloth with water or a mild cleaning solution. Do not use aggressive chemical solvents that may damage the finishing of the machine. Do not dip or expose the machine directly to water or liquids of any nature. Periodically check the surface of the machine, taking particular care to the areas that could be dangerous for the user due to normal operating conditions or wilful damage (sharp or bent metal sheets, rust, etc.) See the “Spare parts” manual to order replacement parts.

### 10.2 Internal maintenance and cleaning

Clean the machine interior with a damp cloth; use only compressed air to clean the electronic components.

Periodically check the connections of each cable and check that the peripheral connection cables are not frayed or excessively bent.

If any unusual situation is noticed with regard to cables and connectors, immediately replace them according to the “Spare parts” manual.

### 10.3 Inactivity periods

We recommend turning the machine OFF by means of the main power switch located inside the case for short inactivity periods when the machine will not be used for two or three days.

For long inactivity periods, when the machine will not be used for long periods of time, we suggest unplugging the machine from the power grid, removing the power plug from the wall socket. Protect the machine from dust, covering it with a drape and store it in a dry and ventilated area.

For models equipped with removable hopper, if the machine is left in plain sight we recommend leaving the cash box door completely open and remove the cash box and the hopper, with their content, from the coin change machine (Fig. 17).



Fig. 16

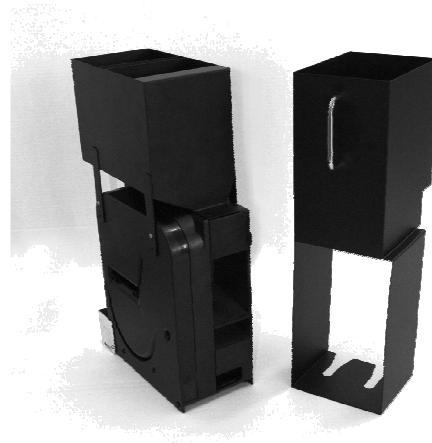


Fig. 17

## 11. Diagnostic and technical support

This section presents the main faults that can be noticed during operations and the corresponding possible solutions in order to minimise or completely eliminate any need for machine shutdown.



If the fault is not among those listed below or if it is there but the suggested solution does not solve the issue, call our after-sale service at the following number: **+43 (0) 1 271 66 00**

Issue	Solution
Empty hopper message although the hopper is apparently loaded.	Make sure that the level of coins in the hopper is sufficient to cover the metal plates located on the bottom of the coin collection compartment.
	Make sure that the connections between the hopper and the hopper slide are correct, by pushing the hopper toward the back of the cabinet.
	Clean the metal plates located on the bottom of the coin collection compartment with a metal brush. Then wipe the plates with a soft cloth soaked in alcohol.
The machine is on but the banknote reader does not accept credits.	Check that there are no banknotes jammed on the bottom of the reader.
	Check that the level of banknotes in the cash box is not such as to hinder the fall of banknotes at the reader's output.

Issue	Solution
The machine accepts banknotes but does not add them to the credit	Check that the level of banknotes in the cash box is not such as to hinder the fall of banknotes at the reader's output.
	Check that the denomination of the banknote inserted is set up in the banknote value table (see section 10.4).
Banknotes are inside the hopper	Remove the cash box and insert it again so that it is fully adherent to the hopper (push the cash box to the back of the cabinet).
Poor acceptance of banknotes by the reader.	Remove the reader and open it, clean the upper and lower part of the LED sensors with a wet cloth.
	Check that the reader closes perfectly.

## 12. Technical specifications

Dimensions (l x h x w) [mm] :	1450x465x200
Weight Kg] :	55 (approx.)
Power supply [V/Hz] :	230 / 50
Power consumption [VA] :	60
Operating temperature [°C] :	+3 ÷ +50
Hopper coin capacity :	Approximately 3,400 (sample coin 1€)
Cash box coin capacity :	Approximately 2,800 (sample coin 1€)

### Installed peripherals

Electronic coin mechanism :	RM5 HD (optional)
Banknote reader :	Innovative Technology NV10
Hopper :	Hopper Suzo Evolution

## 13. Spare Parts

Just alike to the parts to be replaced, our spare parts are in compliance with manufacturing specifications, and they guarantee with time optimum performance and reliability, satisfying all industry regulations for which they are designed.



For further information about this spare parts list, please call our after-sales service at the following number: (+43) (0)1 271 66 00.

EN

In order to provide a fastest way to search for spare parts and to facilitate the work of our technicians, it is necessary to provide the following information to the after-sales service:

- Model, type and serial number of the machine.
- Code number, name and quantity of parts you intend to order.

The following list applies to all configurations in which the change machine Jolly PRO is produced and sold.

### 13.1 Jolly PRO general assembly

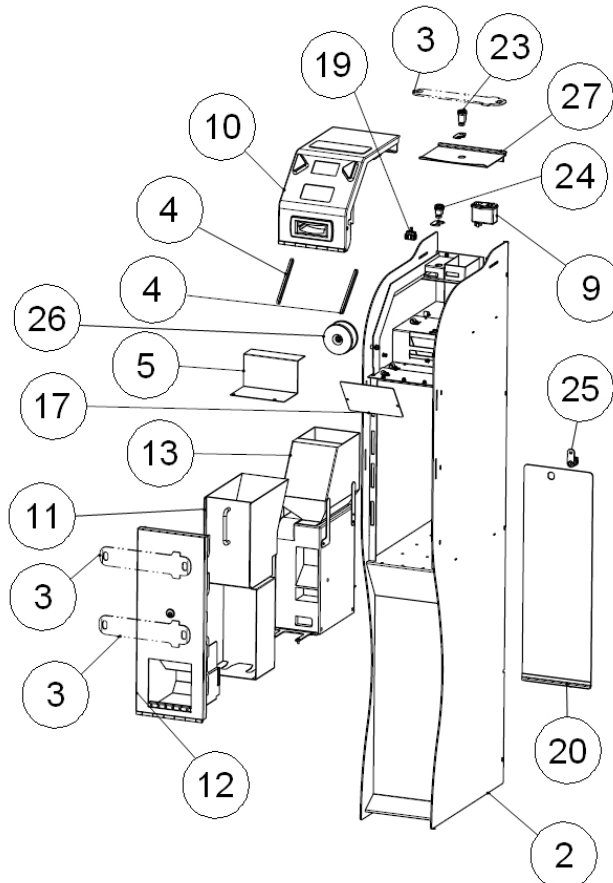


Fig. 18

POSITION	CODE	DESCRIPTION
2	C20---11512-D	JOLLY CABINET VER. D
3	1041-20-0004-B	SAFETY BEAM - JOLLY
4	C20---11506-B	ROD FOR BONNET SUPPORT VER. B
5	1041-20-0006-A	CARTER FOR TRANSFORMER
9	Z/DC-FILTRO	POWER FILTER WITH TWO FUSES
10	1041-30-0100-A	BONNET GROUP
11	J-30-1041-G	JOLLY – CASH GROUP
12	J-30-1041-B	JOLLY – DOOR GROUP – CASH
13	J-30-1041-M	JOLLY HOPPER SLIDE FIXED
17	C20---11714-B	ANTI STATIC PLATE VER. B
19	C33-M403-SI1	FUSE CARRIER 1 POLE WITH FIXING HOLE
20	C20---11511-A	DOOR FOR GLASSES COMPARTMENT VER. A
23	S623018KD/2	MINI LOCK 6 – HEIGHT 28
24	SMINI6KD/2	MINI LOCK 6 ENCRYPTED
25	SCT17KD	TUBULAR LOCKS 17mm KD
26	**	TOROIDAL TRANSFORMER WITH WIRE
27	C20---11504	TRAY

### 13.2 Cash group Jolly (Cod. J-30-1041-G)

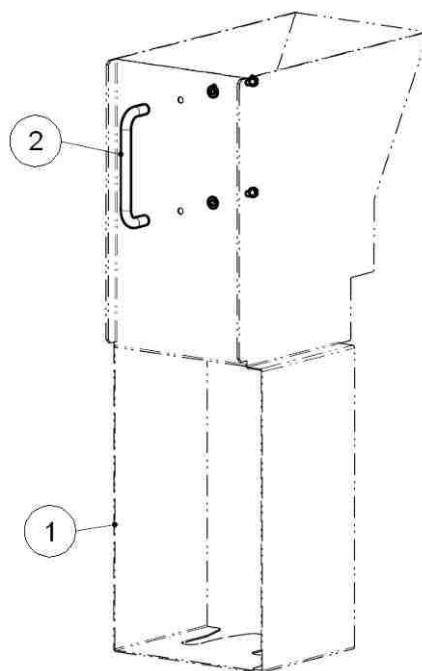


Fig. 20

POSITION	CODE	DESCRIPTION
1	C20---11535	JOLLY CASH
2	C6-401/2	HANDLE

### 13.3 Bonnet group (Cod. 1041-30-0100-A)

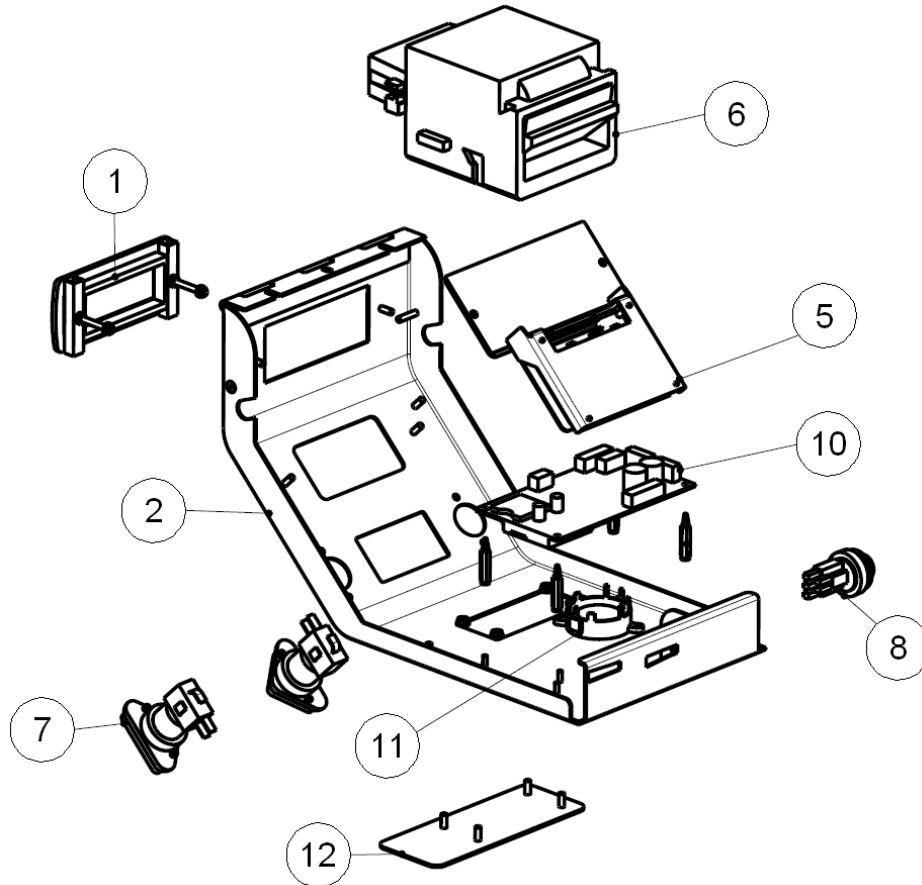


Fig. 19

POSITION	CODE	DESCRIPTION
1	***	BEZEL NV10
2	1041-20-0001-B	BONNET JOLLY PRO
5	1041-30-0200-A	DISPLAY 128x64 GROUP
6	LS/NV10/E2-CCT-ENCRY	NV10 BANKNOTES READER
7	P500/A01B8TRBL	BLU LED TRIANGULAR BUTTON
8	P500/A0146/A-V	CHROMED GREEN BUTTON
10	MCB1	MCB1 BOARD
11	CA33KPEG182-LAV	BUZZER NEXUS WITH RESISTOR
12	C20---11509	COIN MECHANISM CLOSIN PLUG

EN

## 13.4 Jolly – Door group – Cash (Cod. J-30-1041-B)

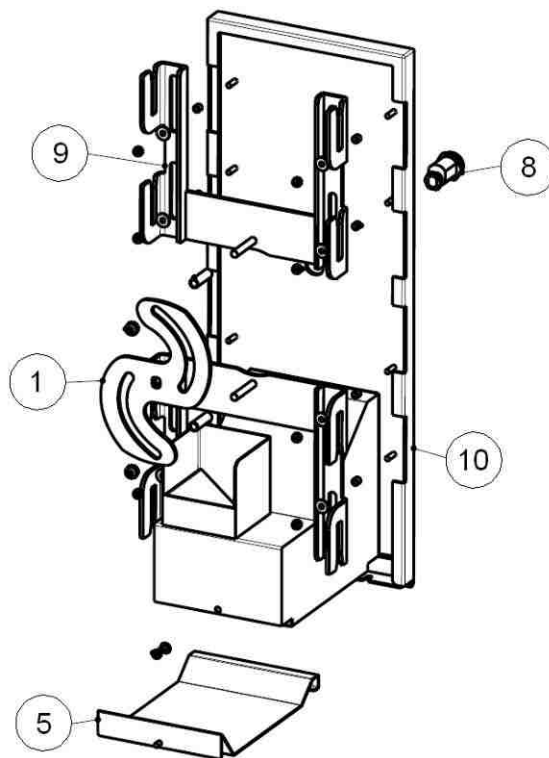


Fig. 21

POSITION	CODE	DESCRIPTION
1	C20---11521-A	CASH CLOSURE CAM
5	C20---11524-A	WITHDRAWAL COINS
8	S623018KD/2	MINI 6 LOCK – HEIGHT 28
9	C20---11522-A	CASH CLOSING SLIDE VER. A
10	C20---11523-C	CASH DOOR VER. C



## 13.5 Jolly hopper slide fixed (Cod. J-30-1041-M)

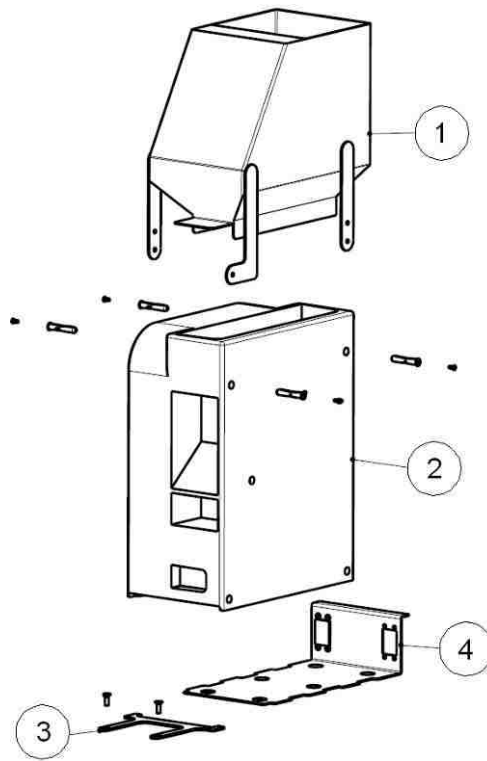


Fig. 22

EN

POSITION	CODE	DESCRIPTION
1	C20---11732-A	HOPPER EXTENSION
2	EV02000	CCTALK EVOLUTION HOPPER
3	C20---11733-C	HOPPER LOCKING PLATE VER. C
4	20201000000021A	CABLED SLIDE HOPPER

### 13.6 Display 128x64 group (Cod. 1041-30-0200-A)

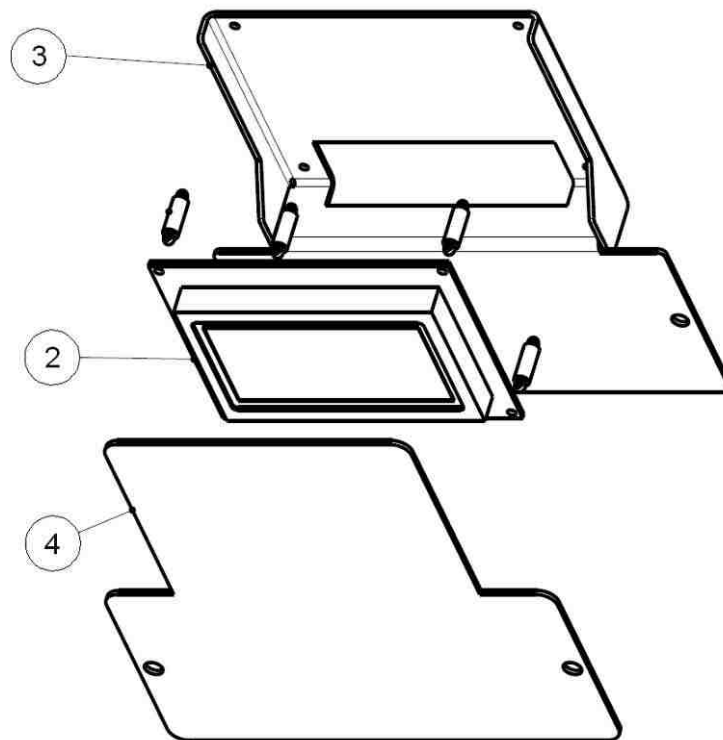


Fig. 23

POSITION	CODE	DESCRIPTION
2	CA16LCDWG12864B	128X64mm GRAPHIC LCD DISPLAY WHITE/BLUE
3	1041-20-0002-A	DISPLAY MOUNTING BRACKET
4	1041-20-0003-A	DISPLAY GLASS AND INSTRUCTIONS

### 13.7 Cash LED bracket group (Cod. 1041-30-0900-A)

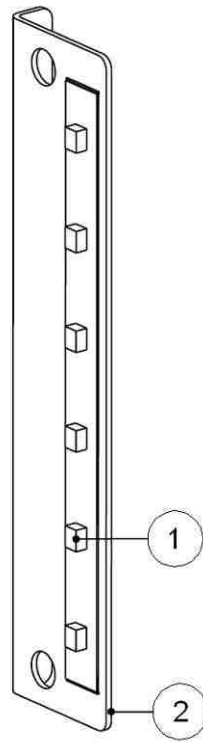


Fig. 24

EN

POSITION	CODE	DESCRIPTION
1	SUPERLIGHT_6	*****
2	1041-20-0012-A	LED BRACKET FOR CASH

### 13.8 Wiring group Jolly PRO (Cod. 1041-30-0500-A)

CODE	DESCRIPTION
1041-40-0001-A	CABLED TRANSFORMER JOLLY – TWIN PRO
1041-40-0002-B	JOLLY PRO DISPLAY CABLE REV. B
1041-40-0004-A	JOLLY ADVANCE NV10 CCTALK CABLE
1041-40-0005-A	JOLLY / TWIN ADVANCE CPU SLIDE CABLE
1041-40-0006-A	JOLLY ADVANCE BUTTONS CABLE
1041-40-0007-A	JOLLY ADV. LIGHTING BUTTONS CABLE
C4-22-11594	JOLLY CABINET – BONNET GROUND CABLE

CODE	DESCRIPTION
C4-22-11599	TWIN – JOLLY FILTER – CABINET GROUND CABLE
1019-40-0009-B	BUZZER CABLE REV. B
C4-22-11788	JOLLY / TWIN PRO ANTISTATIC CABLE

### 13.9 Silkscreen and labels



Fig. 25

## 13.10 Small parts group (Cod. C6-V-J)

CODE	DESCRIPTION
V/S-FASCETTE	CABLE TIES MADE IN NYLON
V/S-EXWHC-250	CABLE CLAMP EXWHC-250
V/S-EXWHC-500	CABLE CLAMP EXWHC-500
V/S-EXWHC-062501	CABLE CLAMP WHC-062501
C6-NBT010-H21-6	SOCKET H21 M6 FOR TRANSFORMER
C6DADO4-DIN985	SELF LOCKING NUT M4 - DIN 985 ZINC-COATED
C6DADO4-DIN1587	CAP NUT (DIN 1587) M4
C6DADO4-BN860	FLANGED NUT M4 -ISO4161
C6DADO03ZB----	HEXAGONAL NUT M3 - UNI EN 24032 - ZINC-COATED
C6DADOI985M6---	HEXAGONAL AUTO BRAKE NUT M6 - DIN 985 ZINC.
C6RONDENT04----	SERRATED LOCK WASHER M4 (DIN 6798)
C6RONDPIANA03--	PLAIN WASHER FOR M3 - UNI 6592 ZINC COATED
C6RONDPIANA04--	PLAIN WASHER FOR M4 - UNI 6592 ZINC-COATED
C6RONDPIANA04-L	PLAIN WASHER WIDE BAND FOR M4 - UNI 6593 ZINC-COATED
C6TS-FU6X35	NYLON PLUG FU 6x35
C6-T-55-75-4	LITTLE TUBE 5,5x0,75x4
C6-T-6-5-4	LITTLE TUBE ext. diam. 6, int. diameter 4, height 5
C6-T-8-26-6	LITTLE TUBE ext. diam. 8, int. diameter 6, height 26
C6AF-TCC3,9X19	SCREW TCC 3,9x19
C6AF-TCC3,9X9,5	SCREW TCC 3,9x9,5 p.t.
C6TBM4X12	ALLEN SCREW M4x12
C6TBM4X16	ALLEN SCREW M4x16
C6TCC03X06-----	PAN HEAD SCREW M3x6 - ISO 7045 ZINC-COATED

EN

CODE	DESCRIPTION
C6TCC04X06	PAN HEAD SCREW M4x6 – ISO 7045
C6TCC06X16	PAN HEAD SCREW M6x16 – ISO 7045
C6TSC03X08	COUNTERSUNK FLAT HEAD SCREW M3x8 – ISO 7046 ZINC COATED
C6TSC04X12	COUNTERSUNK FLAT HEAD SCREW M4x12 – ISO 7046 ZINC COATED

## 14. Appendixes

### 14.1 Decommissioning and disposal

At the end of its life the product must be decommissioned and sent to a disposal centre.

Remove the machine from its installation place, empty all coins and remove the power cable. **Contact us to collect the decommissioned machine. Call the following telephone number: (+43) (0) 1 271 66 00.**

It is mandatory to dispose the machine pursuant to Legislative Decree 25/07/2005 no. 151.

EN



Please read the following information carefully.

Since December 31, 2006, precise criteria have been established with regard to the Disposal of Waste Electronic and Electrical Equipment (WEEE), with the purpose of protecting the environment.

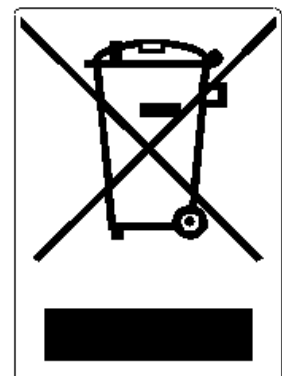
These machines fall within the scope of legislative decree 151/2005 annex 1B article 2 section 1, since they are:

7.6 Coin / token machines.

10.2 Automatic dispensers of cash or products.

In brief:

- These machines must not be disposed of as normal waste but rather be separately collected.
- Dealers will collect used machines for free, then they will send them to specialised collection centres so that they can be correctly disassembled and any reusable material can be recycled.
- Collection centres for waste electronic and electrical equipment (WEEE) have been created. Users can return used machines to their dealers when a new equivalent machine is purchased.
- These machines or their parts are potentially harmful for the environment and human health if used incorrectly or if not disposed of pursuant to the present procedure, due to some substances being present in the electronic components.
- The symbol representing a crossed-out trash bin, well visible on these machines, means without doubts that the machine has entered the market after August 13, 2005 and that it must be collected separately.



The following sanctions are established if this waste is disposed of unlawfully:

15. Pursuant to article 6, section 1, letter b), a dealer that does not accept the return of a used electrical or electronic equipment for free will incur a monetary sanction of Euro 150 to Euro 400 for each device that is not accepted or is accepted for a fee.
16. A manufacturer that does not organise a separate collection system for professional WEEE as per article 6 - section 3 and a system for returning and sending, treating and recycling the WEEE, pursuant to articles 9 - section 1 and 9 - section 1, 11 - section 1 and 12, sections 1, 2 and 3, without prejudice to the agreements signed pursuant to article 12 - section 6, will incur a monetary sanction of Euro 30,000 to Euro 100,000.
17. A manufacturer that after August 13, 2005 does not provide the financial guarantee established by article 11 - section 2 or 12 - section 4 when the electrical or electronic device enters the market, will incur a monetary sanction of Euro 200 to Euro 1,000 for each device which enters the market.
18. A manufacturer that does not provide instructions for the use of WEE pursuant to article 13 - section 1 will incur a monetary sanction of Euro 200 to Euro 5,000.
19. A manufacturer that, within one year from the launch on the market of any new WEE, does not provide the instructions pursuant to article 13 - section 3 to re-use centres and treatment and recycling plants will incur a monetary sanction of Euro 5,000 to Euro 30,000.
20. A manufacturer that after August 13, 2005 launches on the market WEE without the identification or symbol set out by article 13 - sections 4 and 5 will incur a monetary sanction of Euro 200 to Euro 1,000 for each device that enters the market. The same monetary sanction applies if the identification or symbol is not conforming with the requirements set out by article 13, sections 4 and 5.
21. A manufacturer that launches on the market a WEE without being registered with the Chamber of Commerce pursuant to article 14 - section 2 will incur a monetary sanction of Euro 30,000 to Euro 100,000.
22. A manufacturer that does not communicate the information established by article 13, sections 4 3 5 to the national register of subjects obliged to dispose of WEEE within the terms established by article 13, section 8 can incur penalties.
23. With the exceptions set out by article 5 section 2, everyone that after July 1, 2006 launches on the market WEE containing substances listed in article 5, section 1 or further substances identified pursuant to article 18, section 1, will incur a monetary sanction of Euro 50 to Euro 500 for each device that enters the market or of Euro 30,000 to Euro 100,000.











A.u.S. SPIELGERÄTE GMBH

---

SCHEYDGASSE 48, AT 1210 WIEN

☎ +43 (0) 1 271 66 00 65 FAX +43 (0) 1 271 66 00 75

🌐 [www.aus.at](http://www.aus.at) ✉ [verkauf@aus.at](mailto:verkauf@aus.at)