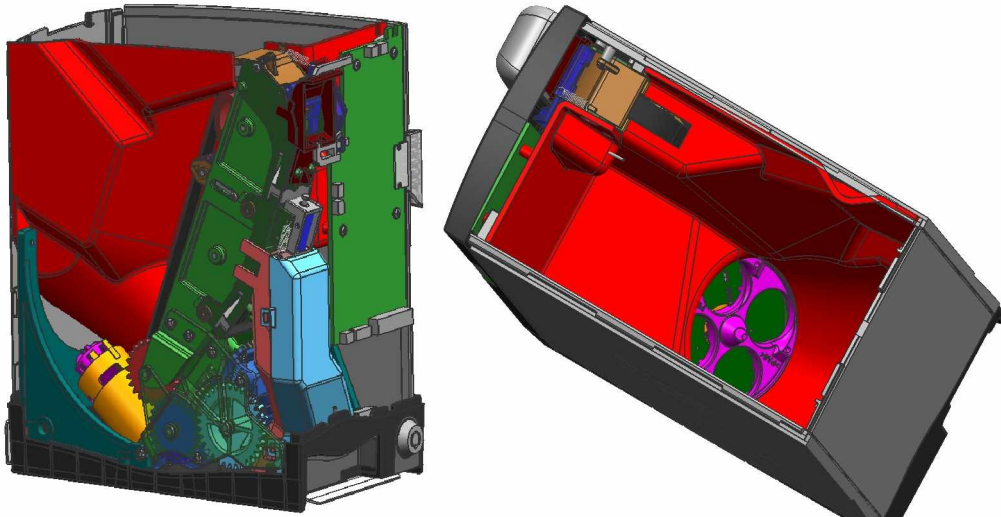


SMART Hopper

- There have been no advancements in coin payment for the past 15-20 years.
- Innovative Technology have developed the SMART Hopper to bring coin payment technology into the 21st Century.
- The SMART Hopper will set a new standard for coin payout.



Features

- Multi coin
- Speed
- Coin volume
- The SMART Hopper will payout multiple coins of a combination of different denominations. Using only the SMART Hopper it is possible to payout any value with a combination of different coins



*Eg. simplest 3€ 20c payout
 uses 3 different coins*

- 12 coins per second payout rate
- Theoretical payout of 720 coins per minute
- Coins travel at 1 metre per second
- The speed of the SMART Hopper is ideal for customer satisfaction, with stakes and prizes increasing, the speed of change transactions has never been more important.



A.u.S. Spielgeräte GesmbH
Scheydgasse 48 A-1210 Wien
Tel. +43-1-271 66 00 Fax.+43-1-271 66 00 75
E-mail: verkauf@aus.at
<http://www.aus.at> <http://www.garlando.at>
Öffnungszeiten: Mo-Do 9-18 und Fr. 9-17 Uhr

SMART Hopper

- Coin Capacity: 1300 £1 or 800 £2 or 1500 1€ coins.
- Float levels are set by the host machine depending on the maximum payout and the repetition of payouts.
- Self-regulating float – to combat coin starvation
- Easier for operator to empty cash box
- No need for additional sorters, hoppers or tubing
- Space saver design - pay out is close to pay in area, higher than usual in AWP machines
- Coins are only stored in hopper for future payouts, unrequired coins travel to cash box
- A spring loaded one way door is fitted to protect the payout ducting and combat fraud attempts.
- A modulated coin exit sensor (light pipe) reports to the hopper as coins pass. The sensor uses a technique of random frequency hopping to combat blinding attempts to fraud the machine. If blinded completely the hopper will cease operating and report an error code.
- 'Best deal' – an option where the hopper retains the best selection of coins for payout. The hopper learns to anticipate the frequency of coin denominations it receives = The SMART Hopper keeps the most appropriate coins for payout at any one time.
- Payout float level is set by the host machine to ensure enough coins are always available to keep the host machine running.
- Coins that will never be required for payouts are transported to the cash box.

Technical Specification

- Dimensions: 280 x 230 x 134mm
- Weight: 2.4kg
- 24V power supply
- SSP encrypted protocol
- Lifecycle: 2,500,000 coins

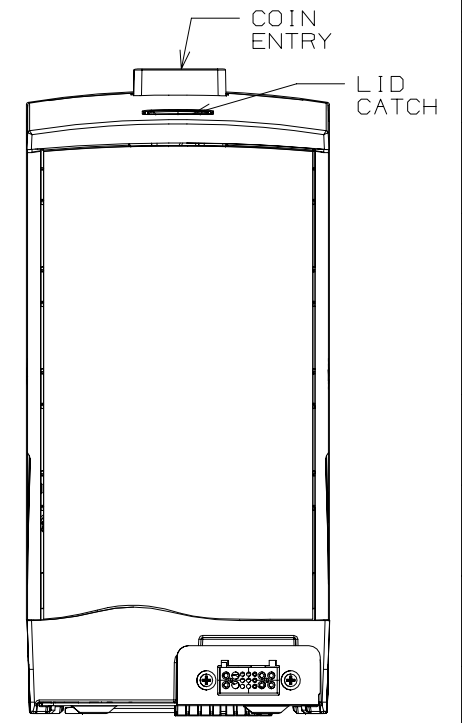
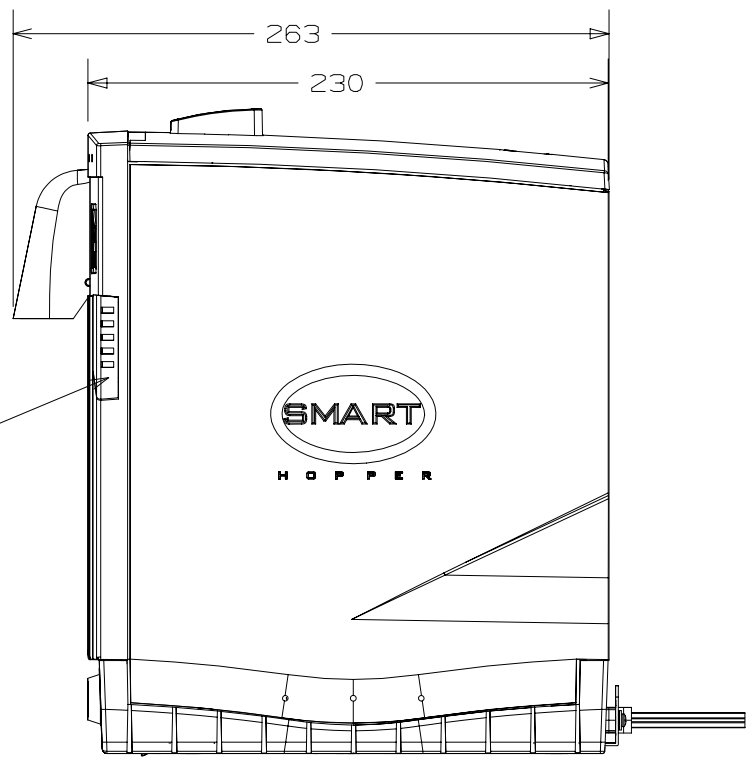
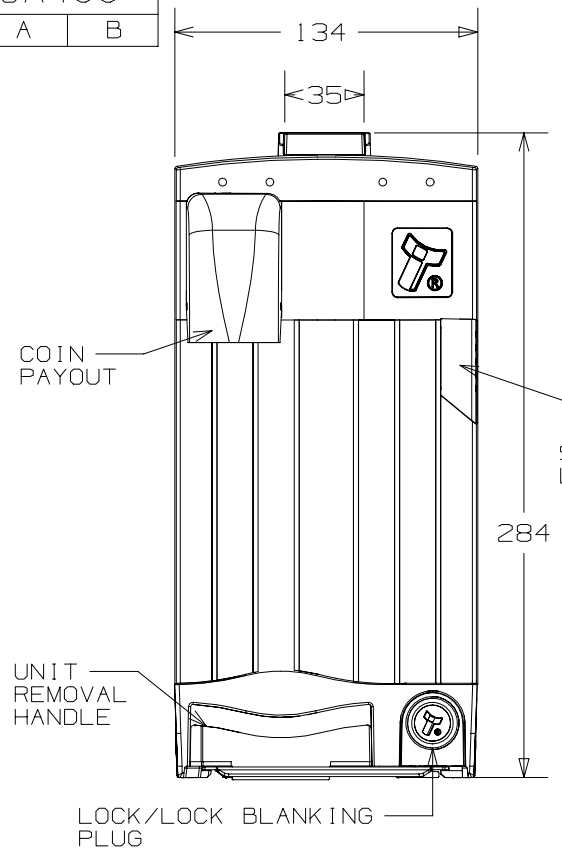


SMART Hopper

- Capacity: 1300 £1 coins / 800 £2 coins /
1500 1€ coins.
- Diameter: 18mm - 28.5mm (up to UK £2)
- Thickness: 1.65mm - 3.2mm (up to UK £1)
- Capacity: 1300 £1 coins /800 £2 coins /1500 1€ coins
- Lifecycle: 2,500,000 coins
- Unique SPF™ technology
- Coin sets can be done in a hours
- Max. payout rate 12 coins per second
- Coins travel at 1 metre/sec
- 'Best deal'

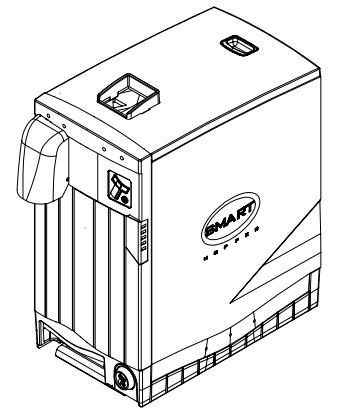
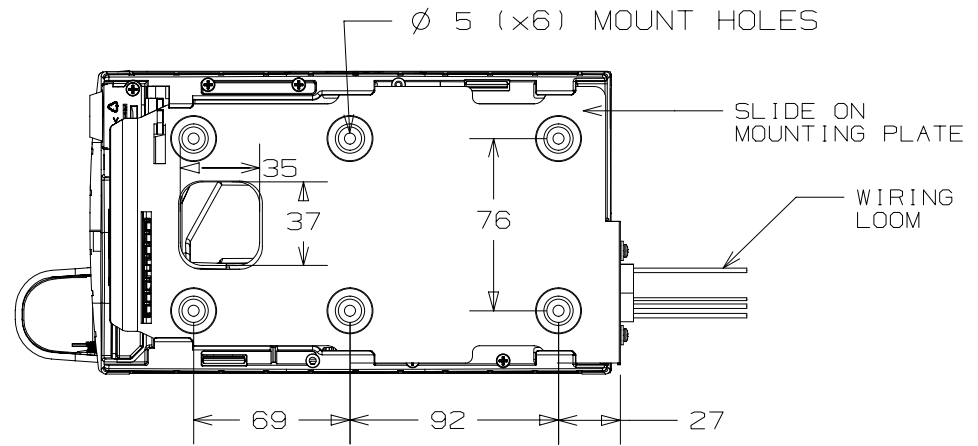
COPYRIGHT CONTAINED IN THIS DRAWING IS THE PROPERTY OF INNOVATIVE TECHNOLOGY LTD

C	D	E	F	G	H	I	J	K	L	M	N	O	P	Q	R	S	T	SHT 1 OF 1			
A	B																	U	V	W	X



A.S. Spielgeräte GmbH
 Scheydgasse 48 A-1210 Wien
 Tel. +43-1-271 66 00 Fax. +43-1-271 66 00 75
 E-mail: verkauf@aus.at
 http://www.aus.at http://www.garlando.at
 Öffnungszeiten: Mo-Do 9-18 und Fr. 9-17 Uhr

COIN ϕ - 18-28.5mm
 COIN THICKNESS - 1.65-3.3mm
 SPEED, MAX - 13COINS/Sec
 (47,000 COINS/Hr)
 DENOMINATIONS, MAX - 11
 CAPACITY 1300 x 1POUND COIN
 WEIGHT, EMPTY - 2.35KG



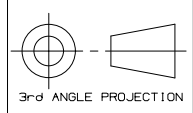
REFERENCE ONLY
 ITL RESERVES THE RIGHT TO CHANGE SPECIFICATIONS WITHOUT NOTICE

ISSUE No	MOD No	DATE	MOD BY

CAD GENERATED - MODS TO BE ELECTRONIC

INNOVATIVE TECHNOLOGY LTD

 DERKER ST. OLDHAM
 ENGLAND. OL1 4EQ
 TEL 0161 626 9999
 FAX 0161 620 2090



ALL DIMENSIONS SHOWN
 ARE NOMINAL SIZES
 DO NOT SCALE
 IF IN DOUBT - ASK!!!

DRAWN: JR	DATE: 17-3-09	MATERIAL:	FINISH:	SCALE: NTS	TOOL No:
CHECKED:	DATE:				
TITLE: SMARTHOPPER OUTLINE DIMENSIONS				DRG NO: GA400	ISSUE: B