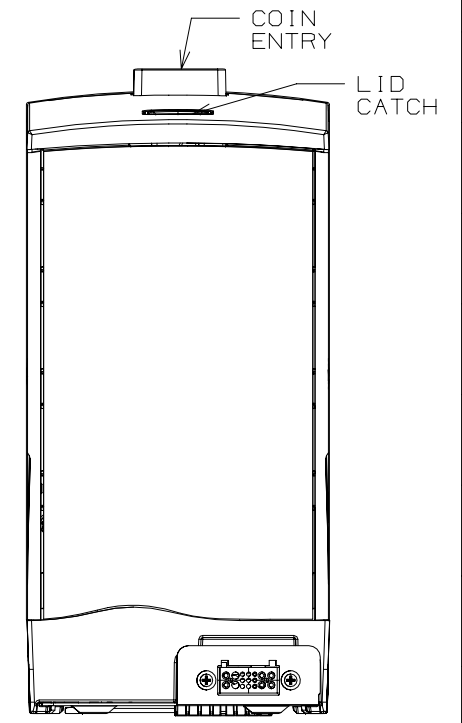
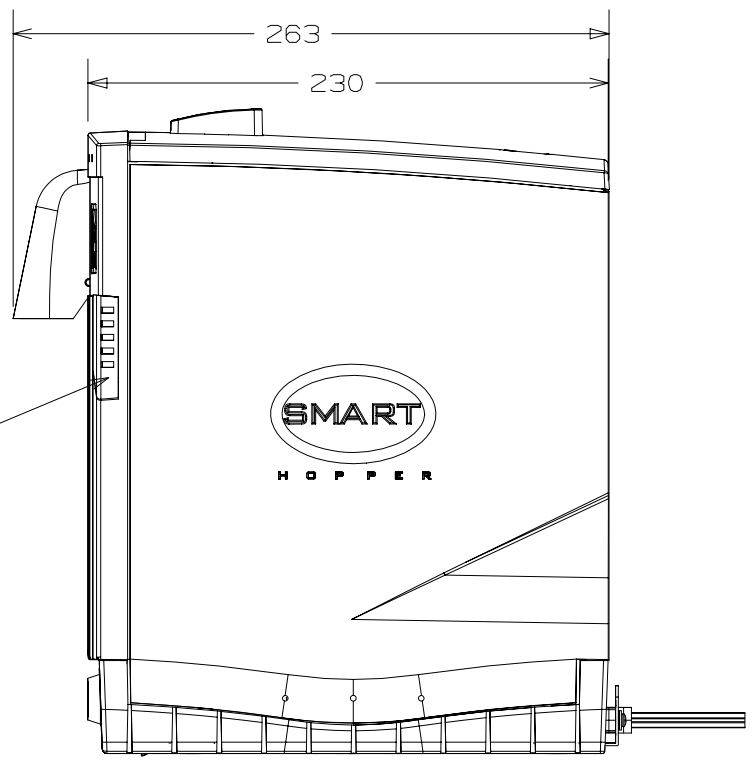
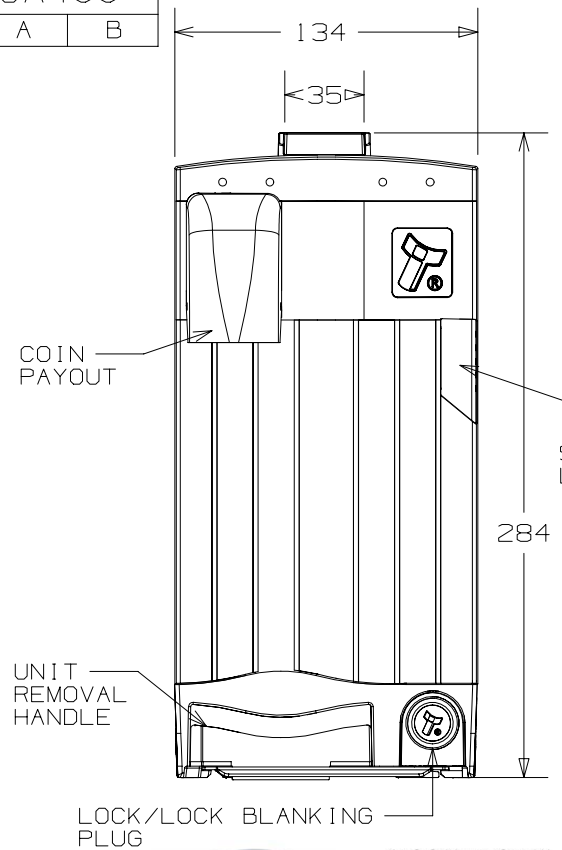


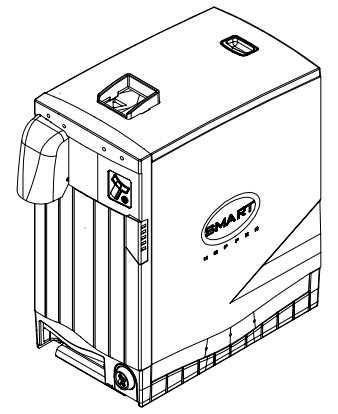
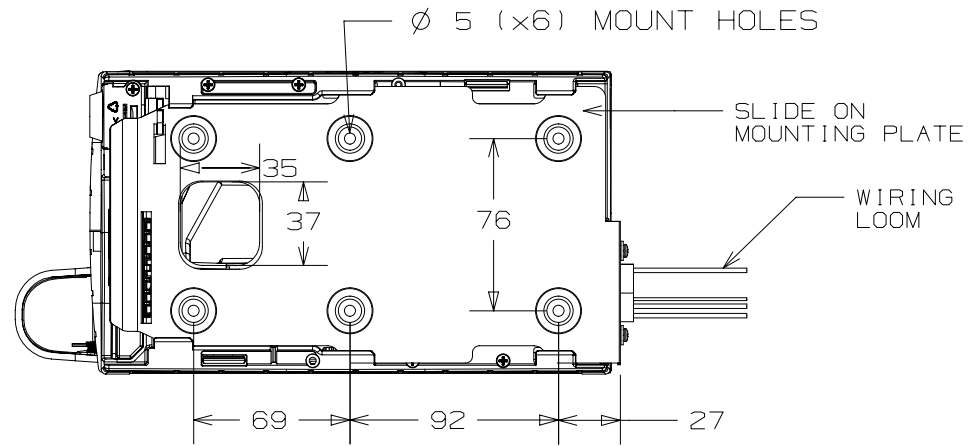
COPYRIGHT CONTAINED IN THIS DRAWING IS THE PROPERTY OF INNOVATIVE TECHNOLOGY LTD

C	D	E	F	G	H	I	J	K	L	M	N	O	P	Q	R	S	T	SHT 1 OF 1			
A	B																	U	V	W	X



A.u.S. Spielgeräte GesmbH
 Scheydgasse 48 A-1210 Wien
 Tel. +43-1-271 66 00 Fax.+43-1-271 66 00 75
 E-mail: verkauf@aus.at
 http://www.aus.at http://www.garlando.at
 Öffnungszeiten: Mo-Do 9-18 und Fr. 9-17 Uhr

COIN Ø - 18-28.5mm
 COIN THICKNESS - 1.65-3.3mm
 SPEED, MAX - 13COINS/Sec
 (47,000 COINS/Hr)
 DENOMINATIONS, MAX - 11
 CAPACITY 1300 × 1POUND COIN
 WEIGHT, EMPTY - 2.35KG

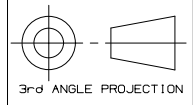


REFERENCE ONLY
 ITL RESERVES THE RIGHT TO CHANGE SPECIFICATIONS WITHOUT NOTICE

ISSUE No	MOD No	DATE	MOD BY

CAD GENERATED - MODS TO BE ELECTRONIC

INNOVATIVE TECHNOLOGY LTD
 DERKER ST. OLDHAM
 ENGLAND. OL1 4EQ
 TEL 0161 626 9999
 FAX 0161 620 2090



ALL DIMENSIONS SHOWN
 ARE NOMINAL SIZES
 DO NOT SCALE
 IF IN DOUBT - ASK!!!

DRAWN: JR	DATE: 17-3-09	MATERIAL:	FINISH:	SCALE: NTS	TOOL No:
CHECKED:	DATE:				
TITLE: SMARTHOPPER OUTLINE DIMENSIONS				DRG NO: GA400	ISSUE: B