



A.u.S. SPIELGERÄTE GMBH

SCHEYDGASSE 48, AT 1210 WIEN

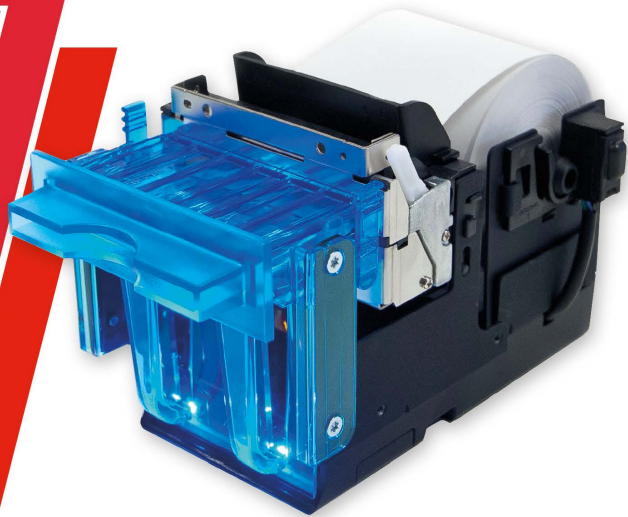
☎ +43 (0) 1 271 66 00 65 FAX +43 (0) 1 271 66 00 75

🌐 www.aus.at ✉ verkauf@aus.at

# CR-158

## COUPON PRINTER

[GA02041]



# OPERATIONS MANUAL

## AMENDMENTS

Revision	Date	Description	Issued by
A	15/06/2015	First issue	CH
B	11/06/2015	Contact Details	CH
C	28/10/2015	Contact Details, Dip Switches	CH
D	01/04/2016	Contact Details, Dip Switches, Testing, Serial Connection, Protocols, Barcode Types	RS

Innovative Technology assume no responsibility for errors, omissions, or damages resulting from the use of information contained within this manual.

This manual set and the information it contains is only applicable to the model stated on the front cover, and must not be used with any other make or model.

Any features such as buttons or connectors that feature on the product but are not mentioned in this manual are currently unused and serve no function.

# Contents

AMENDMENTS .....	2
COPYRIGHT .....	4
LIMITED WARRANTY .....	4
CONNECTING THE PRINTER .....	5
Power & Pulse Connection .....	5
USB Data Connection.....	5
Serial Connection.....	6
DIP SWITCHES, BUTTONS & STATUS LEDS .....	6
Dip Switches & Buttons .....	6
LED Status Lights.....	7
BEZEL OPTIONS & FIXING POINTS.....	8
TECHNICAL SPECIFICATIONS .....	9
DC Voltage .....	9
Supply Current.....	9
Interface Logic Levels .....	9
Functionality .....	9
Performance .....	10
Environment .....	10
FIELD SERVICE .....	10
Inserting a roll of paper .....	11
Removing the paper guide .....	12
Removing the print head roller assembly .....	12
Micro SD card slot and battery compartment.....	13
CREATING TEMPLATES & TESTING.....	13
Ticket Template Manger.....	13

## COPYRIGHT

This manual set is Copyright © Innovative Technology Limited. No part of this publication may be reproduced in any form or by any means or used to make any derivative such as translation, transformation, or adaptation without permission from Innovative Technology Limited. The contents of this manual may be subject to change without prior notice.

## LIMITED WARRANTY

Innovative Technology Limited warrants each of its hardware products to be free from defects in workmanship and materials under normal use and service for a period commencing on the date of purchase from Innovative Technology Limited or its Authorized Reseller, and extending for the length of time stipulated by Innovative Technology Limited.

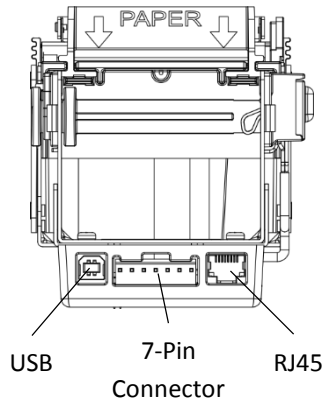
If the product proves defective within the applicable warranty period, Innovative Technology Limited will repair or replace the product. Innovative Technology Limited shall have the sole discretion whether to repair or replace, and any replacement product supplied may be new or reconditioned.

The foregoing warranties and remedies are exclusive and are in lieu of all other warranties, expressed or implied, either in fact or by operation of law, statutory or otherwise, including warranties of merchantability and fitness for a particular purpose.

Innovative Technology Limited shall not be liable under this warranty if it's testing and examination disclose that the alleged defect in the product does not exist or was caused by the customer's or any third person's misuse, neglect, improper installation or testing, unauthorized attempts to repair, or any other cause beyond the range of the intended use. In no event will Innovative Technology Limited be liable for any damages, including loss of profits, cost of cover or other incidental, consequential or indirect damages arising out the installation, maintenance, use, performance, failure or interruption of an Innovative Technology Limited product, however caused.

## CONNECTING THE PRINTER

The printer has three available connections: 7 pin connector, USB or RJ45 socket.



## POWER & PULSE CONNECTION

The 7-pin connector at the centre, rear of the device is for power and for controlling the device via a pulse interface. From left to right, the pins are:

- 1 – Red – +12-24V DC
- 2 – Black – Ground
- 3 – Brown – Coin In Pulse Signal
- 4 – Orange – Note In Pulse Signal
- 5 – Yellow – Pay Out Trigger Pulse Signal
- 6 – Green – Ticket Out Output
- 7 – Blue – Error Out Output

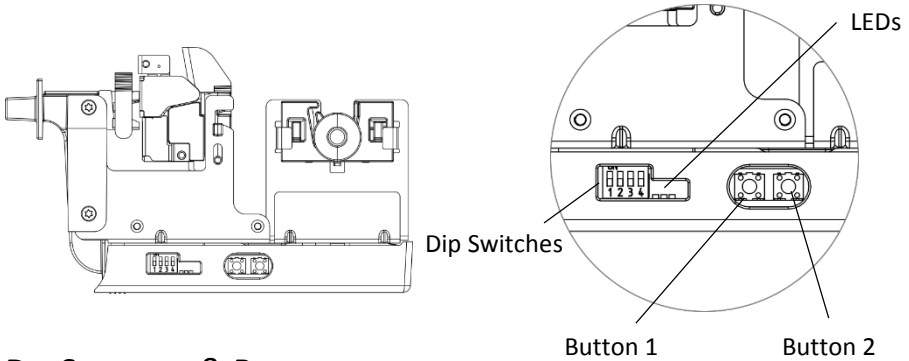
## USB DATA CONNECTION

The USB connection is used to host a COM port on a connected PC, allowing the device to be communicated with through the SSP protocol. Information on this protocol can be found in a separate document (Innovative Technology manual GA138). SSP can be used to configure and control the device, as well as to download certain files onto the device via the SSP update process. The device is connected in this way like any other USB peripheral, and no special cables should be required.

### SERIAL CONNECTION

This connector (RJ45) is used for RS232 communication. Pot 'O' Gold should be connected here, using an RJ45 1 to 1 eight pin patch lead sold separately.

### DIP SWITCHES, BUTTONS & STATUS LEDs



### DIP SWITCHES & BUTTONS

Dip Switch				Functionality
1	2	3	4	
Off				Partial Cut
On				Full Cut
	Off	Off	Off	<b>Secondary Interface* and SSP.</b> Button 1 Prints Test Ticket. Button 2 Switches between SSP and The Secondary Interface.
	Off	Off	On	<b>SSP Interface.</b> Button 1 Prints Test Ticket. Button 2 No Action
	On	Off	Off	<b>Pulse Interface.</b> Button 1 Prints Daily Report. Button 2 Re-Prints
	On	Off	On	<b>Pot 'O' Gold Interface.</b> Button 1 Prints Test Ticket. Button 2 no action.
	On	On	Off	Reserved for future interface. Button 1 prints test ticket. Button 2 no action.
	On	On	On	Reserved for future interface. Button 1 prints test ticket. Button 2 no action.

\*The secondary interface must be set using Ticket Template Manager Configurator.

## LED STATUS LIGHTS

The device has 3 LEDs - green, yellow and red - which are used to display the status of the device. The standard statuses are displayed as follows:

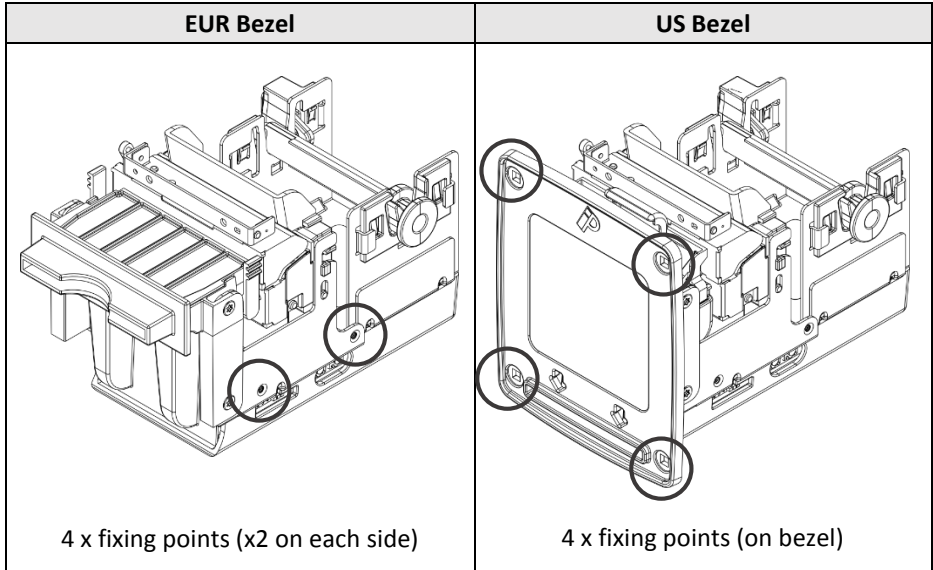
Slow pulsing yellow	Printer idle
Slow pulsing yellow and solid red	Printer idle, paper low
Slow pulsing green	Printer idle, SSP enabled
Slow pulsing green and solid red	Printer idle, SSP enabled, paper low
Fast pulsing green	Printing
Fast pulsing green, yellow, red	Printer initialising after power off/reset

The LEDs are also used to display error states. These are shown by a number of slow **red** flashes, **followed by** a number of **yellow** flashes. The number of each colour of flash indicates the error as shown in the table below:

		Yellow				
		1	2	3	4	5
Red	1	-	Initialisation failed	No print head	-	-
	2	No paper	-	Load fail	-	-
	3	-	-	-	Cut fail	Unknown jam
	4	Unknown error	-	-	-	-

## BEZEL OPTIONS & FIXING POINTS

There are currently two types of bezel available, see below;



Note: refer to technical drawings for further installation details.



# TECHNICAL SPECIFICATIONS

## DC VOLTAGE

	Minimum	Nominal	Maximum
<b>Absolute limits</b>	11 V	12 V	26 V
<b>Supply ripple voltage</b>	0 V	0V	0.5 V @ 100 Hz

## SUPPLY CURRENT

<b>Standby</b>	100 mA
<b>Printing</b>	2 A
<b>Peak</b>	4.8 A

## INTERFACE LOGIC LEVELS

	Logic Low	Logic High
<b>Inputs</b>	0 V to 0.5 V	+3.7 V to +12 V
<b>Outputs (2.2 k<math>\Omega</math> pull-up)</b>	0.6 V	Pull-up voltage of host interface
<b>Maximum current sink</b>	50 mA per output	

## FUNCTIONALITY

<b>Printing Method</b>	Direct Thermal Printing
<b>Dot Pitch</b>	0.125 mm
<b>Resolution</b>	384 dots per line
<b>Print Width</b>	48mm
<b>Print Speed</b>	100mm/s
<b>Ticket Print and Present</b>	< 3 Seconds
<b>Barcode Types</b>	Interleaved 2 of 5, Code 128, QR Code and others by request
<b>Graphic resources</b>	2MB on-board SPI Flash. A micro SD card slot is available for storage of extra fonts and images
<b>Interface: User</b>	Ticket print button, Feed button, 4 dip-switches. LEDs: Ready, Paper, Fault
<b>Interface: Protocols</b>	eSSP, Pulse, Pot 'O' Gold, Line by Line, ccTalk
<b>Interface: Electrical</b>	Open collector, True RS232, USB
<b>Interface: Physical</b>	USB (direct to printer) 7 – way power, pulse and "Pot 'O' Gold" RJ45 serial connector
<b>Support tools</b>	The firmware and interface protocol are upgradeable via USB. Ticket Template Manager software allows design of own ticket templates

## ENVIRONMENT

Parameter	Min	Max (Design Guide)
Operating temperature (Ambient)	+5°C	+60°C
Humidity	5%	95% Non-Condensing

## PERFORMANCE

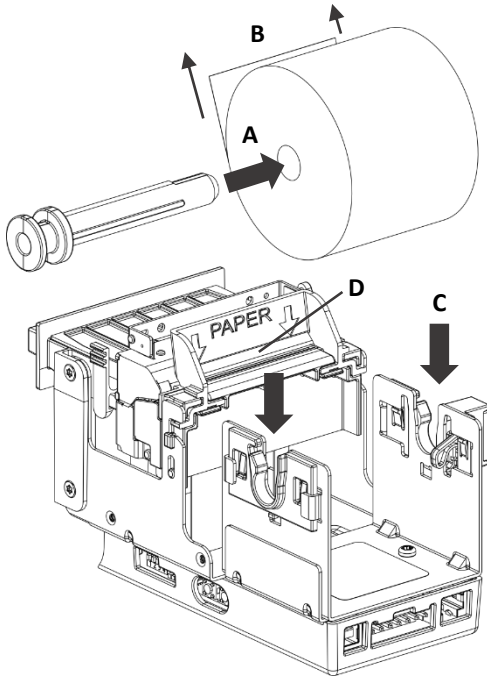
Parameter	Min (mm)	Max (mm)
Coupon Type	Thermal roll media	
Roll Outer Diameter		75
Roll Core Diameter	12.5	
Coupon Length		210
Coupon Width		58
Coupon Thickness		0.1
Print Head Reliability	320,000 coupons	

Approved Paper can be purchased from A.u.S. Spielgeräte GmbH using part number LB02014. 9930550514

[click here for order](#)

## FIELD SERVICE

### INSERTING A ROLL OF PAPER



To insert a new roll of paper, remove the roll mandrel from the printer (reverse of **C**).

Position the roll so that the paper edge comes from below the roll (**B**).

Insert the mandrel into the roll of paper. The spool of the mandrel should be on the left hand side of the roll (as shown, **A**).

Push the mandrel (with roll) down onto the clips until secure (**C**).

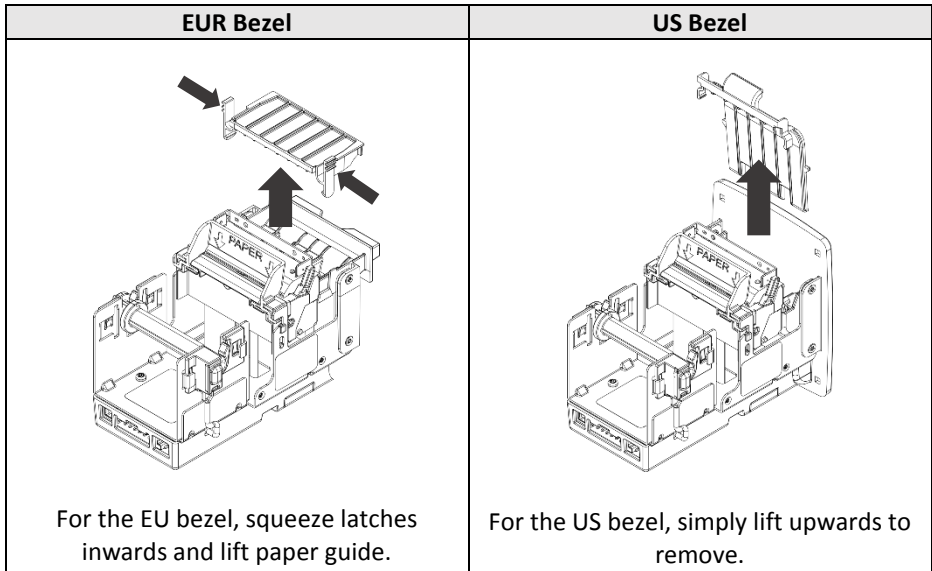
With the unit powered on, feed the paper into the mechanism (**D**). When the paper triggers the sensor, the unit will auto-feed the paper. Remove the excess paper when the unit has

completed the paper feed.

If required, you can now do a test print (see **Dip Switches & Buttons**).

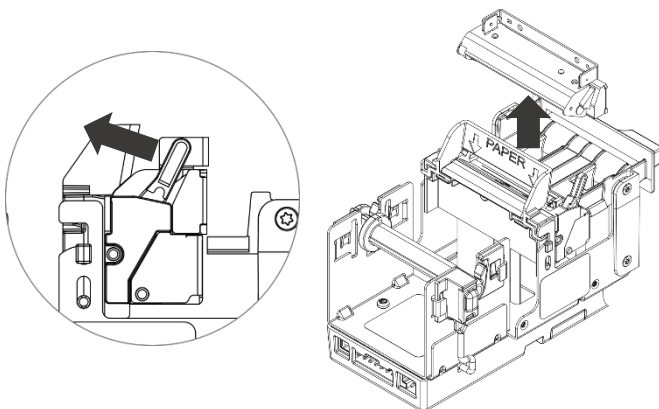
## REMOVING THE PAPER GUIDE

For maintenance or clearing a paper jam, the paper guide may need to be removed.



## REMOVING THE PRINT HEAD ROLLER ASSEMBLY

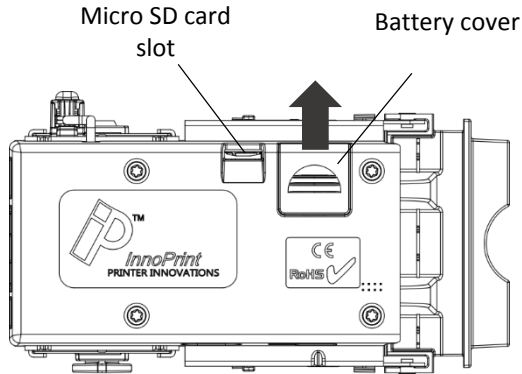
The print head roller assembly can be removed to allow access for cleaning and removal of jammed paper. Firstly remove the paper guide (see 8.2).



Pull the release handle on the print mechanism to release the roller assembly. The roll assembly can be fitted back in place with a 'push fit.' Note: Fit the roller assembly before reinserting the paper guide and paper roll.

## MICRO SD CARD SLOT AND BATTERY COMPARTMENT

The micro SD card slot and battery compartment are located on the left hand side of the unit. The battery is accessed via the removable cover.



Inserting a micro SD card expands the memory of the printer, allowing extra fonts, images and coupon templates to be stored.

The battery powers the units internal real time clock, which can be used to provide and date and time stamp on coupons.

Note: Battery Type: CR1225, 3 Volt, 50mAh (BA00100)

## CREATING TEMPLATES & TESTING

### TICKET TEMPLATE MANGER

To fully maximise the potential of the CR-158 printer and its printing capabilities, and to test the unit fully, we recommend you install Ticket Template Manager.

Ticket Template Manager is a software tool that allows users to create and edit ticket/receipt designs, and upload them to Innovative Technology printer products.

To Connect to Ticket Template Manager, the CR-158 must be set to SSP.

### PULSE

Tickets must be Pre-loaded onto the CR-158 when using the Pulse interface. Printers purchased in the Pulse interface will have templates Pre-loaded for testing. These templates can be updated or changed using Ticket Template Manager.