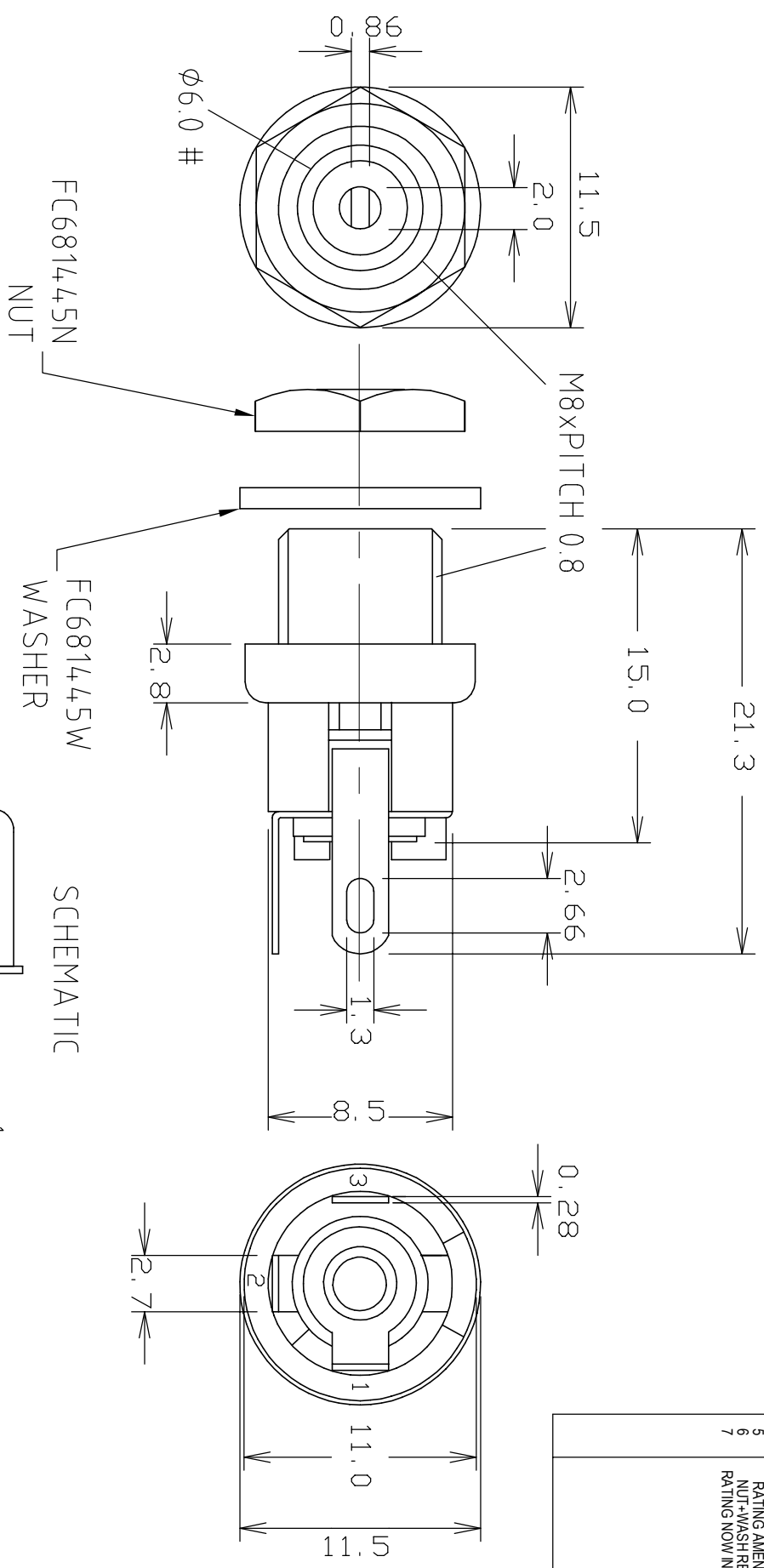
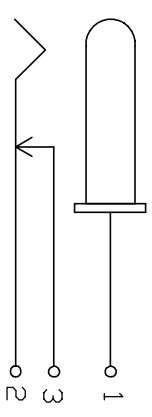


NO.	REVISIONS	DATE
1	1st DRAWN	28/04/9
2	SEE #	19/07/9
3	RATING AMEND	11/08/9
4	WASH DIM DEL	28/07/0
5	RATING AMEND	30/10/0
6	NUT+WASH REF	17/03/0
7	RATING NOW N VA	28/01/1



VARIANTS		
CENTRE PIN	MODEL No.	PART No.
Ø2.0mm	SCD-026	FC681445
Ø2.5mm	SCD-026A	FC681446



RATED: 60V A



TOLERANCE
 NO DEC. PLACE ± 0.50
 1 DEC. PLACE ± 0.20
 2 DEC. PLACE ± 0.10
 HOLE Ø ± 0.10
 ANGLES ± 1/2°
 UNLESS OTHERWISE STATED

DO NOT SCALE

Cliff Electronic Components Ltd.
 76 Holmehorne Avenue, Holmehorne Industrial Estate,
 Redhill, Surrey, RH1 2PF, England, UK
 Tel: 01737-771375 Fax: 01737-766012 Website: www.cliffuk.co.uk

DIMENSIONS IN MILLIMETERS UNLESS OTHERWISE STATED. WORK TO DIMENSIONS. REMOVE ALL BURRS. IF IN DOUBT ASK.
 MATERIAL: BRASS / PBT
 FINISH: Ni PLATED / Ag PLATED / AS MOULDED
 DRAWN: C.A.M.J. APPROVED: R.W.T.

TITLE: DC POWER JACK SCD-026
 DRWG. No. FC681445
 FORM: ADDRWC