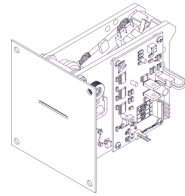


VENDING > **TICKET DISPENSER**

9930500721

Ticket Dispenser TD/V (Metal Front-Plate)



Technical Document

Features

Manufactured in High quality Technical plastic.

Solid and Compact design.

The Ticket's adjustable widths.

Variety of Colours and models to Front-Plates

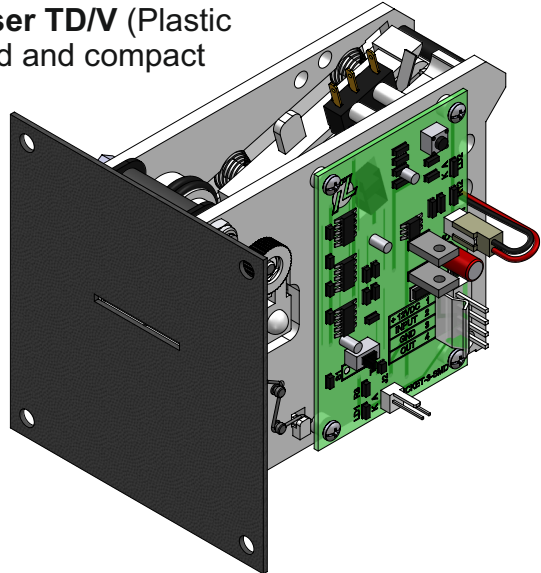
3 Tickets per second, great velocity to dispense.

Applications

For Machines or Ticket Dispenser Doors.

This **Ticket Dispenser TD/V** (Plastic Front-Plate) is a solid and compact product of a great fiability to dispense the Tickets.

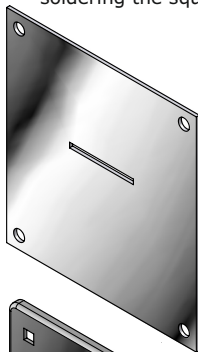
Is perfectly compatible with the Ticket Dispenser Doors.



Dimensions

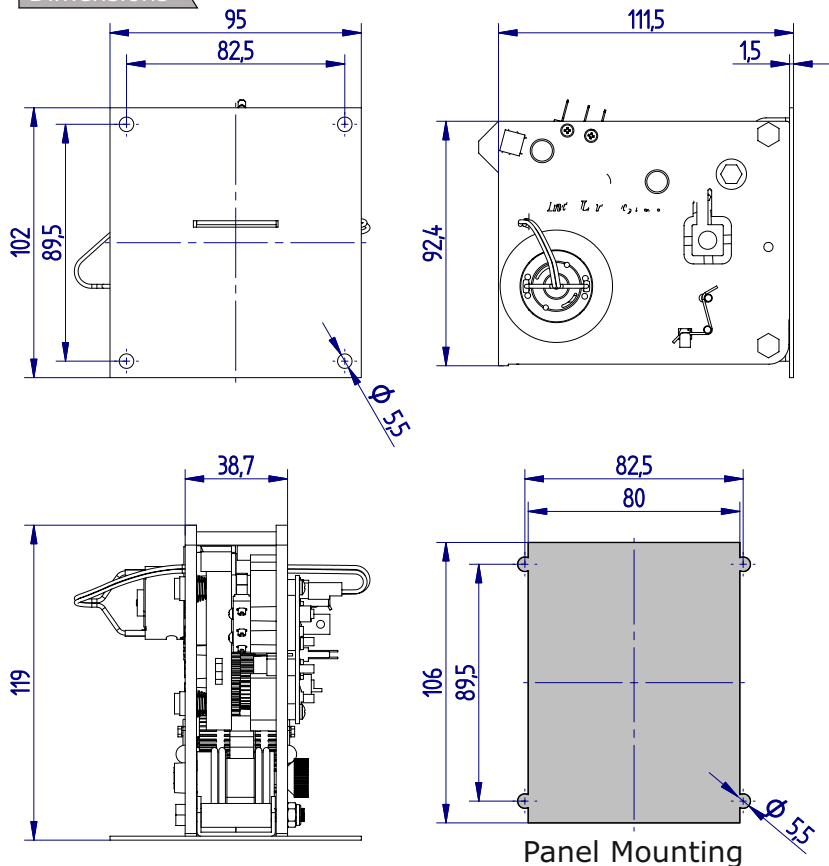
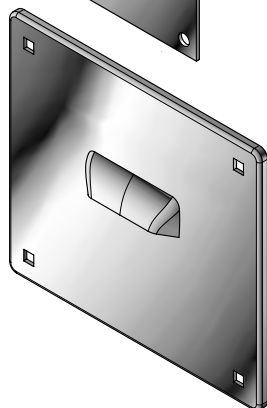
S-43-010820X

Standard Front-Plate without soldering the square.



S-43-0108007

Optional Front-Plate without soldering the square.



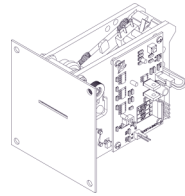
VENDING > TICKET DISPENSER

9930500721



A.u.S. SPIELGERÄTE GMBH
 SCHEYDGASSE 48, AT 1210 WIEN
 ☎ +43 (0) 1 271 66 00 ☎ FAX +43 (0) 1 271 66 00 75
 🌐 www.aus.at ✉ verkauf@aus.at

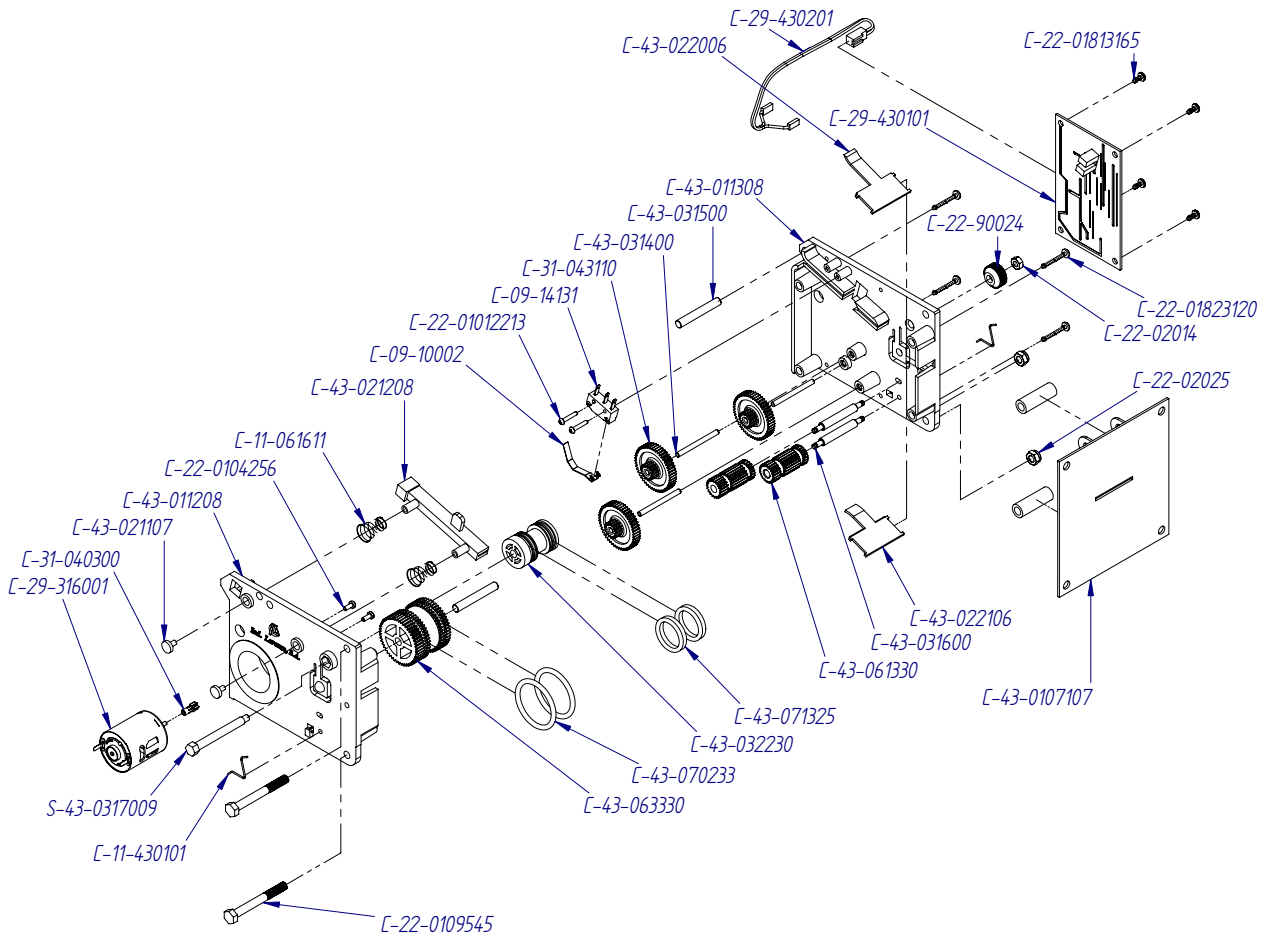
Ticket Dispenser TD/V (Metal Front-Plate)



Technical Document

ARTICLE	SERIE	MODELS	FRONT-PLATES	COLOURS	LEDS	SWITCHES	PCBS
A	43 Tickets	02 Metallic Ticket	3 Front-Plate for Standard Door	0 Without Front-Plate	0 Without LED	0 Without Switch	0 Without PCB
				1 Zincated		1 With Switch	1 Universal/Green
				6 Chromium plate			3 Continuous/Red MOLEX
				7 Black			3 Continuous/Red MOLEX
				9 Grey			4 Univ/Green R4=39K

Exploded View



www.aus.at

English Rev:2.0.0

Contact
 Phone: +43 (0) 1 271 66 00
 e-mail: sales@aus.at
 Scheydgasse 48
 A.1210 Wien Austria

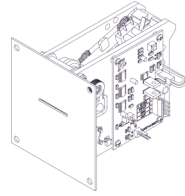
VENDING > **TICKET DISPENSER**

9930500721

Ticket Dispenser TD/V (Metal Front-Plate)



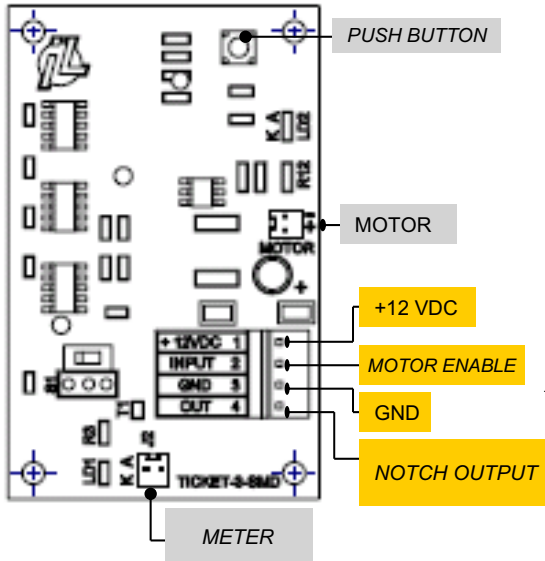
A.u.S. SPIELGERÄTE GMBH
 SCHEYDGASSE 48, AT 1210 WIEN
 ☎ +43 (0) 1 271 66 00 FAX +43 (0) 1 271 66 00 75
 @ www.aus.at ✉ verkauf@aus.at



Technical Document

Circuit Diagram

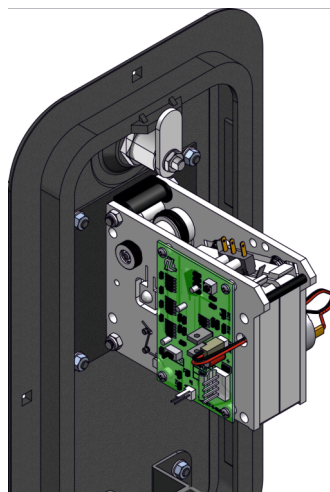
P.C.B. UNIVERSAL



Mates with Molex:
 Part Number: 09-50-1041
 3.96mm Pitch SPOX Crimp Housing,
 Female, with Friction Ramp, 4 Circuits



- Switch S1 (left): single shot
- Switch S1 (right): continuous shot
- Notch Output (Open collector)
- Ticket Width 25,4 mm. a 29,5 mm. (1" a 1-5/32")
- Will run until notch is sensed or for 3 seconds if not notch is sensed



NOTE: Some modifications or adaptations might be available under special request.

www.aus.at

Contact
 Phone: +43 (0) 1 271 66 00
 e-mail: sales@aus.at
 Scheydgasse 48
 A.1210 Wien Austria

English Rev:2.0.0