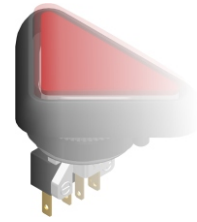


GAMING > ILLUMINATED PUSH BUTTONS

A0157

Subminiature Push Button
(TRIAN-SM)



Technical Data

Features

Subminiature Push Button.

Manufactured in high quality technical plastics.

New design style.

Available an extensive range of colours.

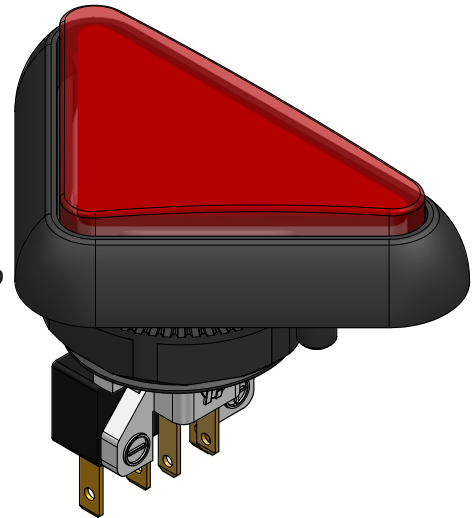
Lighting through LED or T5-T6 Lamp.

Microswitch variety.

Applications

Gaming machines where Triangular Push Button, modern and robust are needed.

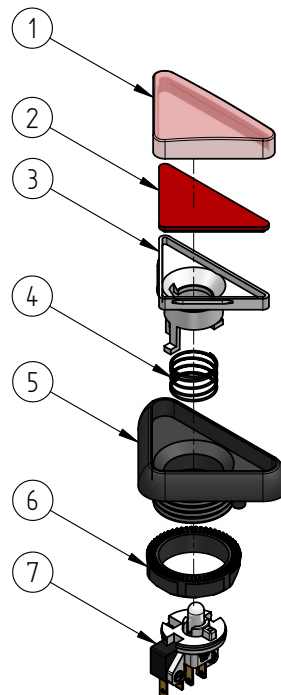
The I.P.B. **A0157 TRIAN-SM** can be fitted in both, amusement and gambling machines. By its shape it suggest to used mostly to indicate a direction...for example:
On gambling machines to change the game up-down, on amusement machines with more than one player to indicate whom the credit belongs. (see some application examples).



It's available in two kinds of fixarions, Plug-in and Quick Turn System (**A015H**).

(industrias Lorenzo, S.A. has a large range of Push Buttons on catalogue where Push Buttons with and without illumination can be seen, for further information visit: <http://www.industrias-lorenzo.com>)

(1) LENS CAP "TRIAN-38"		
# PART NUMBER	MATERIAL	COLOUR
C-01-50118001	PC (Clear)	RED
C-01-50118002		YELLOW
C-01-50118003		GREEN
C-01-50118004		AMBER
C-01-50118005		BLUE
C-01-50118006		TRANSPARENT



(2) PLASTIC LEGEND "TRIAN-38"		
# PART NUMBER	MATERIAL	COLOUR
C-01-51118001	PS	RED
C-01-51118002		YELLOW
C-01-51118003		GREEN
C-01-51118004		AMBER
C-01-51118005		BLUE
C-01-51118006		WHITE

www.aus.at

English Rev:1.0.1

Contact
Phone: +43 (0)1 27 66 00
e-mail: sales@aus.at
Scheydgasse 84
A-1210 Wien
AUSTRIA

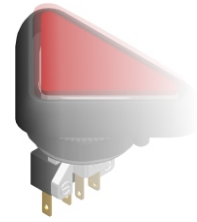


A.u.S. SPIELGERÄTE GMBH
SCHEYDGASSE 48, AT 1210 WIEN
☎ +43 (0) 1 271 66 00 65 FAX +43 (0) 1 271 66 00 75
🌐 www.aus.at ✉ verkauf@aus.at

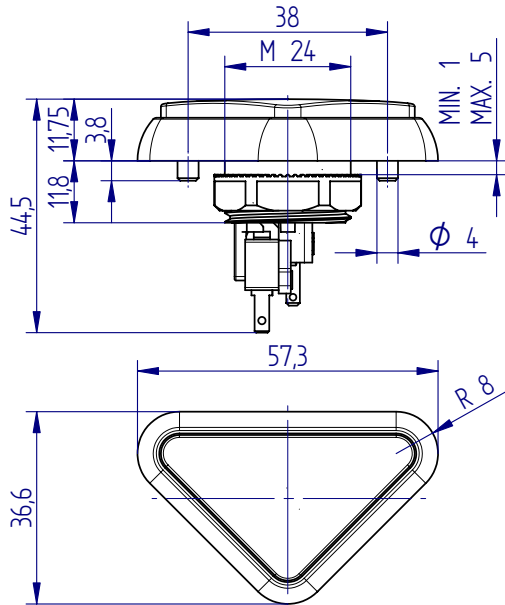
GAMING > ILLUMINATED PUSH BUTTONS

A0157

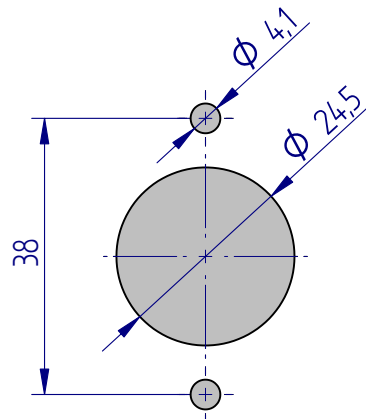
Subminiature Push Button
(TRIAN-SM)



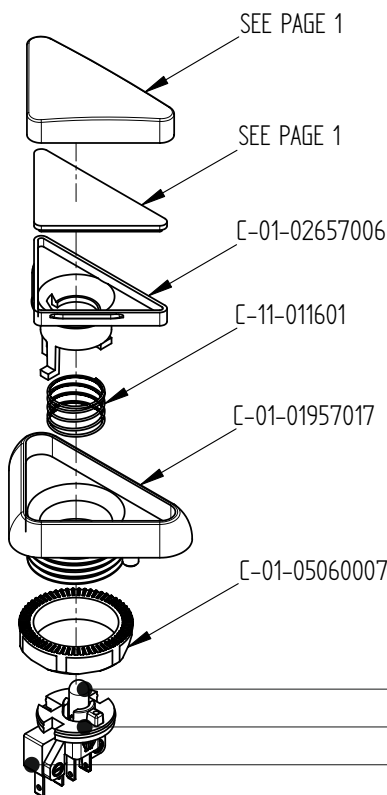
Technical Data



PANEL MOUNTING



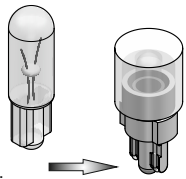
Dimensions



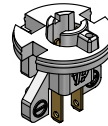
Available Lamps:

T-5	6V	1W	0,16A
T-5	12V	1W	0,08A
T-5	12V	1,2W	0,10A
T-5	24V	1W	0,04A
T-6	14V	1,12W	0,08A
T-6	28V	1,2W	0,04A
T-6	6,3V	1,26W	0,20A

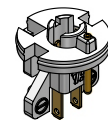
Also available "LED" (6V & 12V).



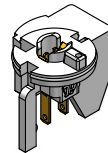
Lampholder SM USA
Fast-on SM05 UL310



Lampholder SM (T-6)
Fast-on SM05 UL310
(Ground Pin optional)



Lampholder SM for
normal Microswitch.
Fast-on
SM05 UL310



Available Microswitches:

DB3 Cherry
DB5 Cherry
X4C SAIA

Exploded View

NOTE: Some modifications or adaptations might be available under special request.

www.aus.at

Contact
Phone: +43 (0)1 27 66 00
e-mail: sales@aus.at
Scheydgasse 84
A-1210 Wien
AUSTRIA

English Rev:1.0.1



A.u.S. SPIELGERÄTE GMBH
SCHEYDGASSE 48, AT 1210 WIEN
☎ +43 (0) 1 271 66 00 65 FAX +43 (0) 1 271 66 00 75
🌐 www.aus.at ✉ verkauf@aus.at