

Plastic Handle

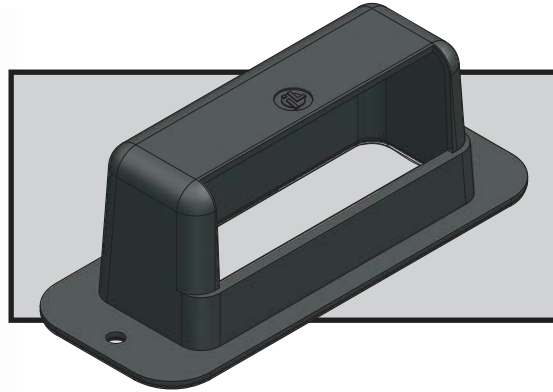


## Technical Document

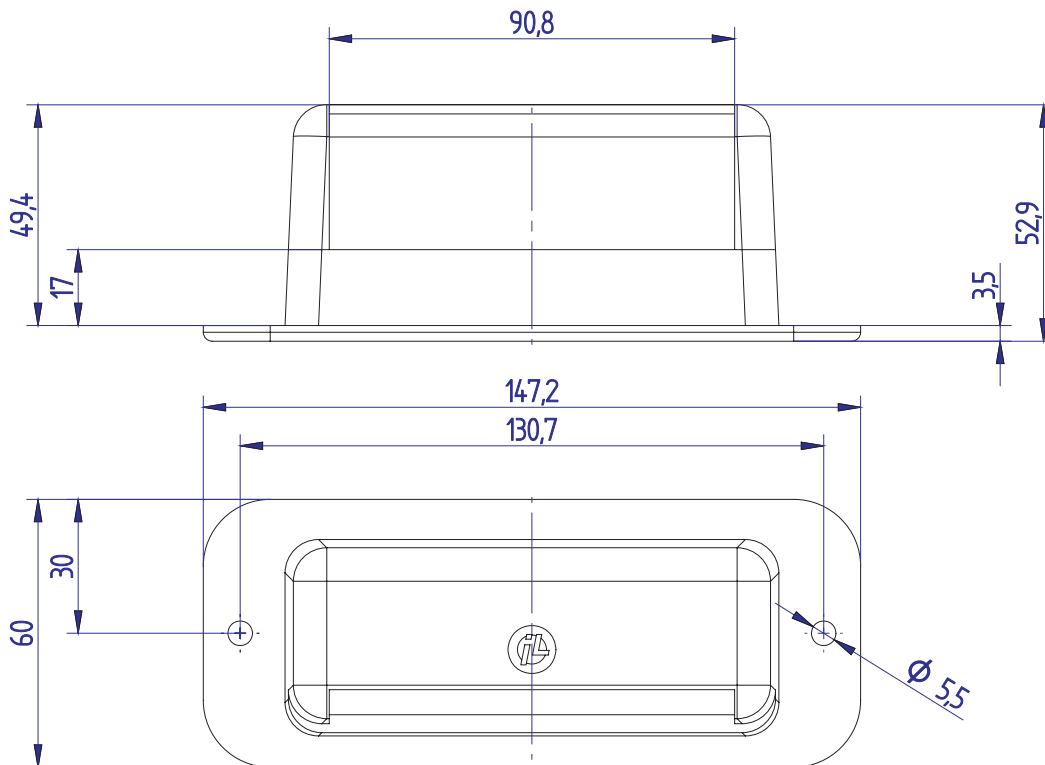
The **Plastic Handle** is manufactured of high quality technical plastics.

It has a handle function. It is easy Mounting system by means 2 points of anchoring.

This is a long life product because of its solidness and quality of materials.




### Dimensions (mm)



**NOTE:** Some modifications or adaptations might be available under special request.

[www.aus.at](http://www.aus.at)

**Contact**  
 Tel: (+43) (0)1 271 66 00  
 e-mail: verkauf@aus.at  
 Scheydgasse 48  
 1210 Wien  
 Austria

 English Rev:1.0.0