

A0106

Medium Round Push Button
(RM)



Technical Data

Features

Robust assembly.

Large number of colours available.

Illumination with Led or T10 Lamp.

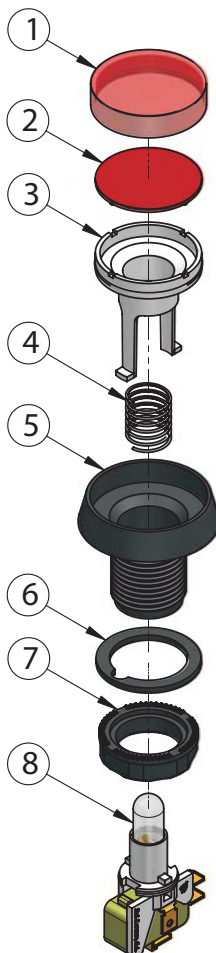
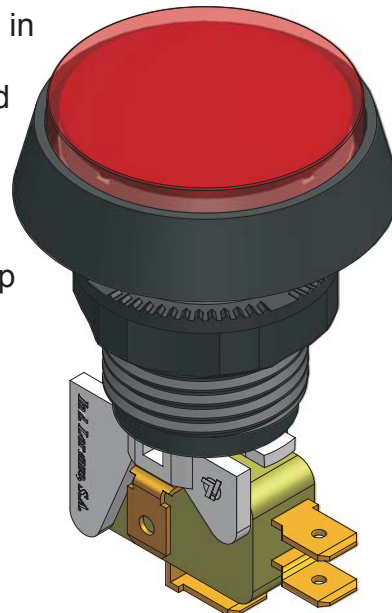
Microswitch variety.

Applications

Gaming machines where medium round Push Button, classic and robust are needed.

The I.P.B. A0106 RM is known in the Gaming and Amusement market by its single shape and large dimension.

The I.P.B. A0106 is available in two kinds of fixation, standard Plug-in, and Easy Clip System (ECS A01A6).



(5) I.P.B. BEZEL "RM"			
# PART NUMBER	MATERIAL	COLOUR	
C-01-01106010	A.B.S. (natural)	—	
C-01-01106011	A.B.S.	RED	
C-01-01106012		YELLOW	
C-01-01106013		GREEN	
C-01-01106015		BLUE	
C-01-01106016		WHITE	
C-01-01106017		BLACK	
S-01-011060102		GOLDEN CHROMED	
S-01-011060103		SILVER CHROMED	
C-01-01106031		PC (Clear)	RED
C-01-01106032			YELLOW
C-01-01106033	GREEN		
C-01-01106034	AMBER		
C-01-01106035	BLUE		
C-01-01106036	CRYSTAL		

(1) LENS CAP "RM"		
# PART NUMBER	MATERIAL	COLOUR
C-01-50106001	PC (Clear)	RED
C-01-50106002		YELLOW
C-01-50106003		GREEN
C-01-50106004		AMBER
C-01-50106005		BLUE
C-01-50106006		TRANSPARENT

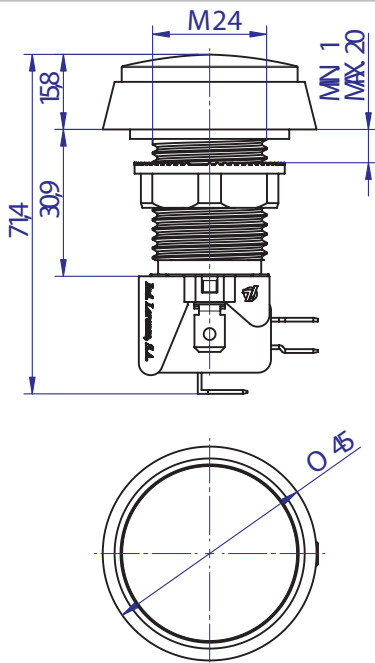
(2) PLASTIC LEGEND "RM"		
# PART NUMBER	MATERIAL	COLOUR
C-01-51106001	PS	RED
C-01-51106002		YELLOW
C-01-51106003		GREEN
C-01-51106004		AMBER
C-01-51106005		BLUE
C-01-51106006		WHITE
C-01-51106010	A.B.S.	OPAL
C-01-51106066	PC	OPAL

A0106

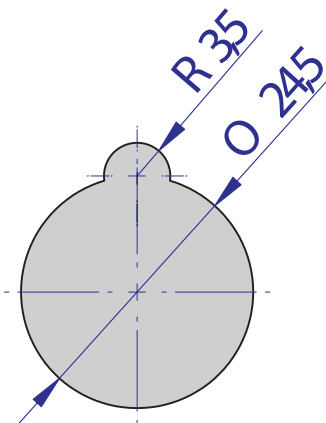
Medium Round Push Button
(RM)



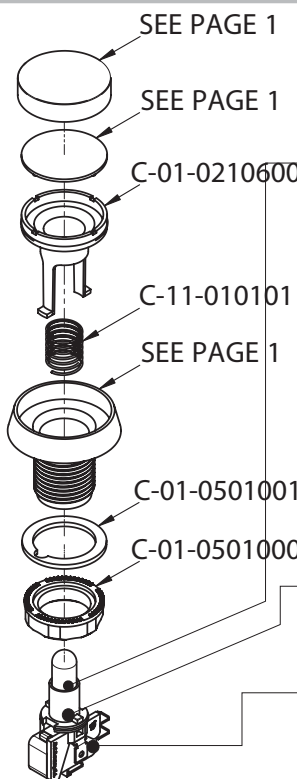
Technical Data



PANEL MOUNTING



Dimensions



Available Lamps:

- T-10 12V 2,2W
- T-10 12V 1,5W
- T-10 12V 1,2W
- T-10 6V 2,0W
- T-10 6V 1,5W
- T-10 24V 2,0W
- T-10 28V 1,6W

Also available triple "Led" C-08-P3312X

Red LED of 8mm. (Large PCB)

Red LED of 8mm. (Small PCB)

Red LED of 3mm. (Large PCB)



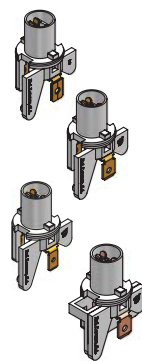
Lampholder:

Standard Lampholder for standard Microswitches. Fast-on 6,35x0,4

Standard Lampholder for standard Microswitches. Fast-on 6,35x0,7

Standard Lampholder for standard Microswitches. Fast-on 4,75x0,7

Standard Lampholder for standard Microswitches. Fast-on 6,35x0,7



Available Microswitches:

- SAIA 3t (6,35 mm)
- Honeywell 2t (6,35 mm)
- Cherry 3t (6,35 mm)
- Cherry 3t (4,75 mm)

Exploded view

NOTE: Some modifications or adaptations might be available under special request.

www.aus.at

Contact
Tel: +43(0)1271 66 00
e-mail: sales@aus.at
Scheydgasse 48
A-1210 Wien
Austria

English Rev:1.0.0