

A0110

Rectangular Push Button
(RCT-N)



Technical Data

Features

Made of high quality technical plastic.

New Design style.

Robust assembly.

Large number of colours available.

Illumination with Led or T10 Lamp.

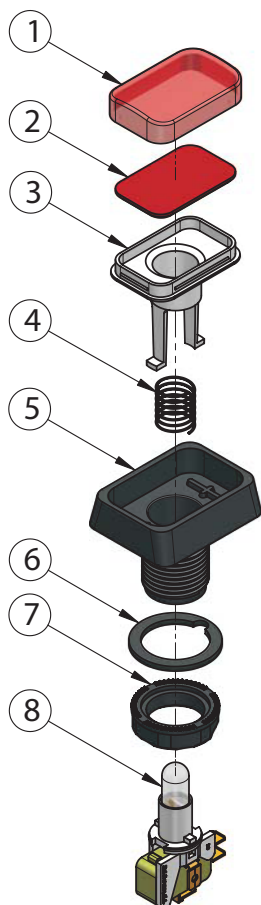
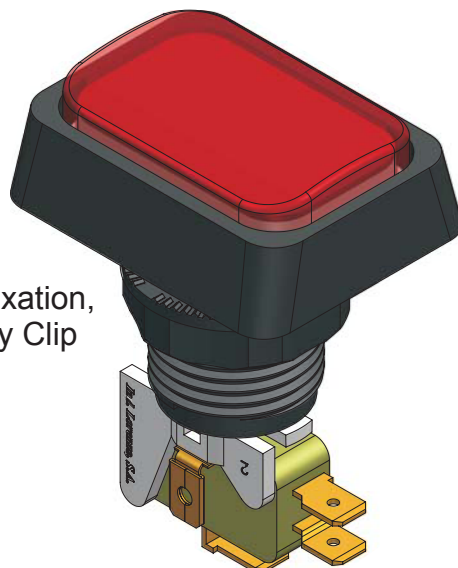
Microswitch variety.

Applications

Gaming machines where rectangular Push Button, modern and robust are needed.

The I.P.B. A0110 RCT-N Belongs to new series IL standards, is a Rectangular Push Button with a modern design.

The I.P.B. A0110 is available in two kinds of fixation, standard Plug-in and Easy Clip System (ECS A01B0).



(5) I.P.B. BEZEL "RCT-N"			
# PART NUMBER	MATERIAL	COLOUR	FIXING
C-01-01201217	A.B.S.	BLACK	42 (mm)
C-01-01201817		BLACK	38 (mm)

(1) LENS CAP "RCT-N"		
# PART NUMBER	MATERIAL	COLOUR
C-01-50201101	PC (Clear)	RED
C-01-50201102		YELLOW
C-01-50201103		GREEN
C-01-50201104		AMBER
C-01-50201105		BLUE
C-01-50201106		TRANSPARENT

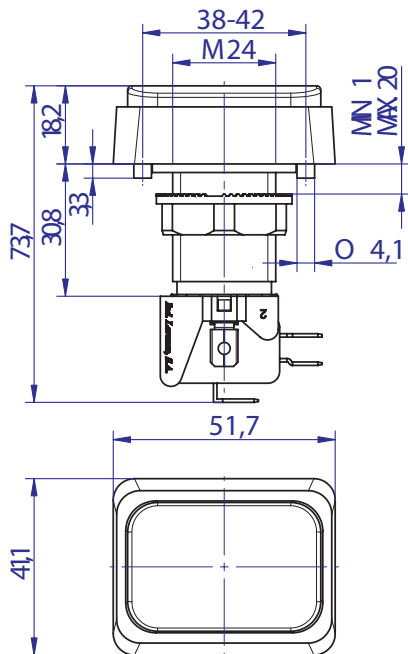
(2) PLASTIC LEGEND "RCT-N"		
# PART NUMBER	MATERIAL	COLOUR
C-01-51201001	PS	RED
C-01-51201002		YELLOW
C-01-51201003		GREEN
C-01-51201004		AMBER
C-01-51201005		BLUE
C-01-51201006		WHITE

A0110

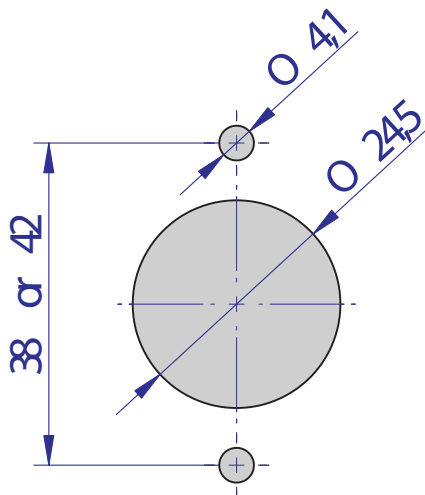
Rectangular Push Button
(RCT-N)



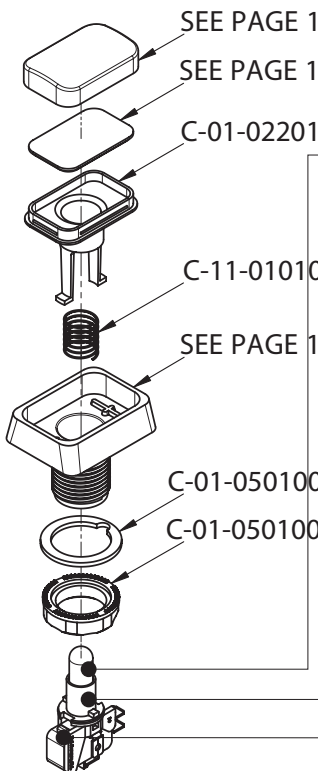
Technical Data



PANEL MOUNTING



Dimensions



SEE PAGE 1

SEE PAGE 1

C-01-02201006

C-11-010101

SEE PAGE 1

C-01-05010017

C-01-05010007

Available Lamps:

- T-10 12V 2,2W
 - T-10 12V 1,5W
 - T-10 12V 1,2W
 - T-10 6V 2,0W
 - T-10 6V 1,5W
 - T-10 24V 2,0W
 - T-10 28V 1,6W
- Also available triple "Led" C-08-P3312X

Red LED of 8mm. (Large PCB)

Red LED of 8mm. (Small PCB)

Red LED of 3mm. (Large PCB)



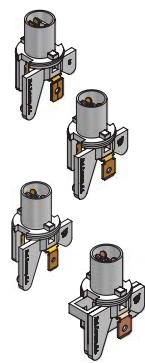
Lampholder:

Standard Lampholder for standard Microswitches. Fast-on 6,35x0,4

Standard Lampholder for standard Microswitches. Fast-on 6,35x0,7

Standard Lampholder for standard Microswitches. Fast-on 4,75x0,7

Standard Lampholder for standard Microswitches. Fast-on 6,35x0,7



Exploded view

Available Microswitches:

- SAIA 3t (6,35 mm)
- Honeywell 2t (6,35 mm)
- Cherry 3t (6,35 mm)
- Cherry 3t (4,75 mm)

NOTE: Some modifications or adaptations might be available under special request.

www.aus.at

Contact
Telf: +43 (0)1 271 66 00
e-mail: sales@aus.at
Scheydgasse 48
A-1210 Wien
Austria

English Rev:1.0.0